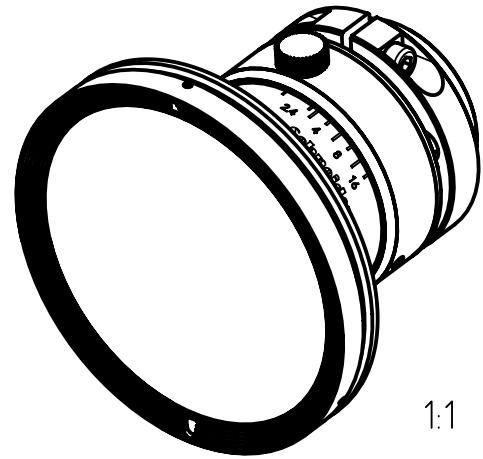
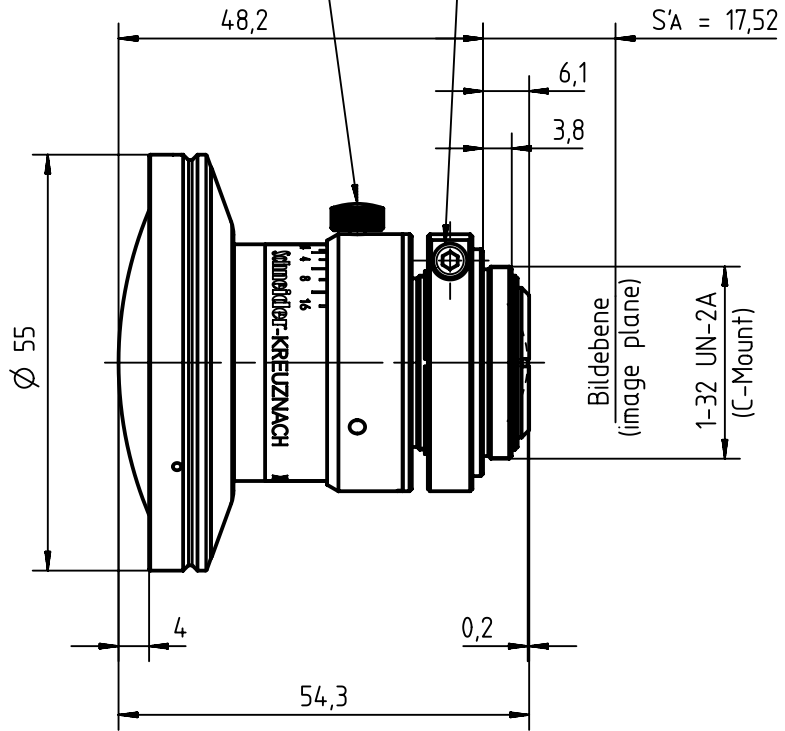



Schutzvermerk ISO 16016 beachten.  
 The reproduction, distribution and utilization of this document as well as the communication of its contents to others without explicit authorization is prohibited. Offenders will be held liable for the payment of damages. All rights reserved in the event of a patent, utility model or design.

Rändelschraube zur Blendenklemmung  
 (Knurled screw for iris lock)

Inbusschraube zur Fokusklemmung  
 (Allen screw for focus lock)  
 Schlüsselweite (wrench size) 2mm



1:1

Angaben ohne Einheiten in mm (all dimensions without unit in mm)		Bestell- Nr. (order-no.)	1088899
Datum (date)	21.01.19	Nur zur Information (only for information)	
<b>Freigabe (release)</b>		<b>XENON-TOPAZ 2.4/6.5</b>  Jos. Schneider Optische Werke GmbH Ringstr. 132 55543 Bad Kreuznach Germany	
R & D	<input checked="" type="checkbox"/>		
Production	<input checked="" type="checkbox"/>		
Sales	<input checked="" type="checkbox"/>		
VT	<input checked="" type="checkbox"/>		
		 D-ID: 00109683/004 M-ID: 00133544/005	