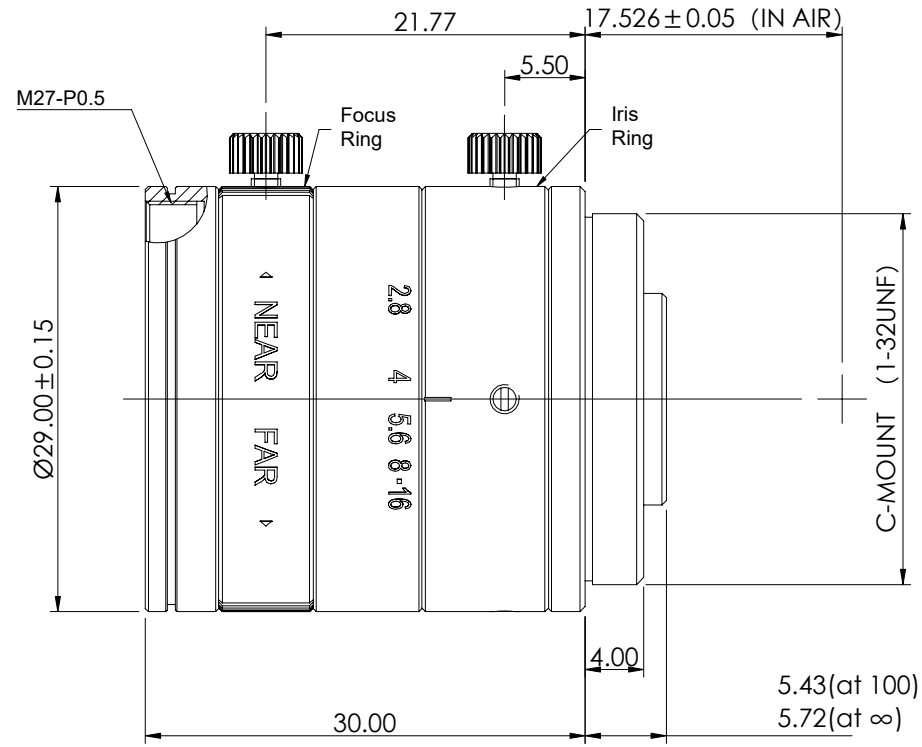


A		B	C	D
Optical Specification				
Model	COB0828-V2.0			
Focal Length(mm)	8			
Sensor	1/1.8"			
Resolution	2.2μm			
Adjustion Type	Manual			
Aperture	F2.8-F16			
Working Distance(mm)	100~∞			
Mag. at MOD	0.071X at WD100			
TV Distortion	<0.18% at WD300			
Back Facal Length (mm)	12.99 at WD100			
	12.34 at Infinity			
Chief Ray Angle	<5°			
Mount	C Mount			
Filter	M27×P0.5			
Size	∅29.00×30.00			
Weight	52g			
Working Temperature	-20°C~60°C			



View Angle		Remark	Item	Signature	Date	COB0828-V2.0		
	Standard Difference		Design					
IT14		Check						
	Drawing Code	Approve						
		Paper Size	A4					
	Revised Date	2020-5-23	Scale		Page		1/1 Total Page	Version

View Angle		Remark	Item	Signature	Date	COB0828-V2.0			
Standard Difference			Design						
IT14		Check							
Drawing Code		Approve							
		Paper Size	A4						
		Revised Date	2020-5-23	Scale			Page	1/1 Total Page	Version

View Angle		Remark	Item	Signature	Date	COB0828-V2.0			
Standard Difference			Design						
IT14		Check							
Drawing Code		Approve							
		Paper Size	A4						
		Revised Date	2020-5-23	Scale			Page	1/1 Total Page	Version