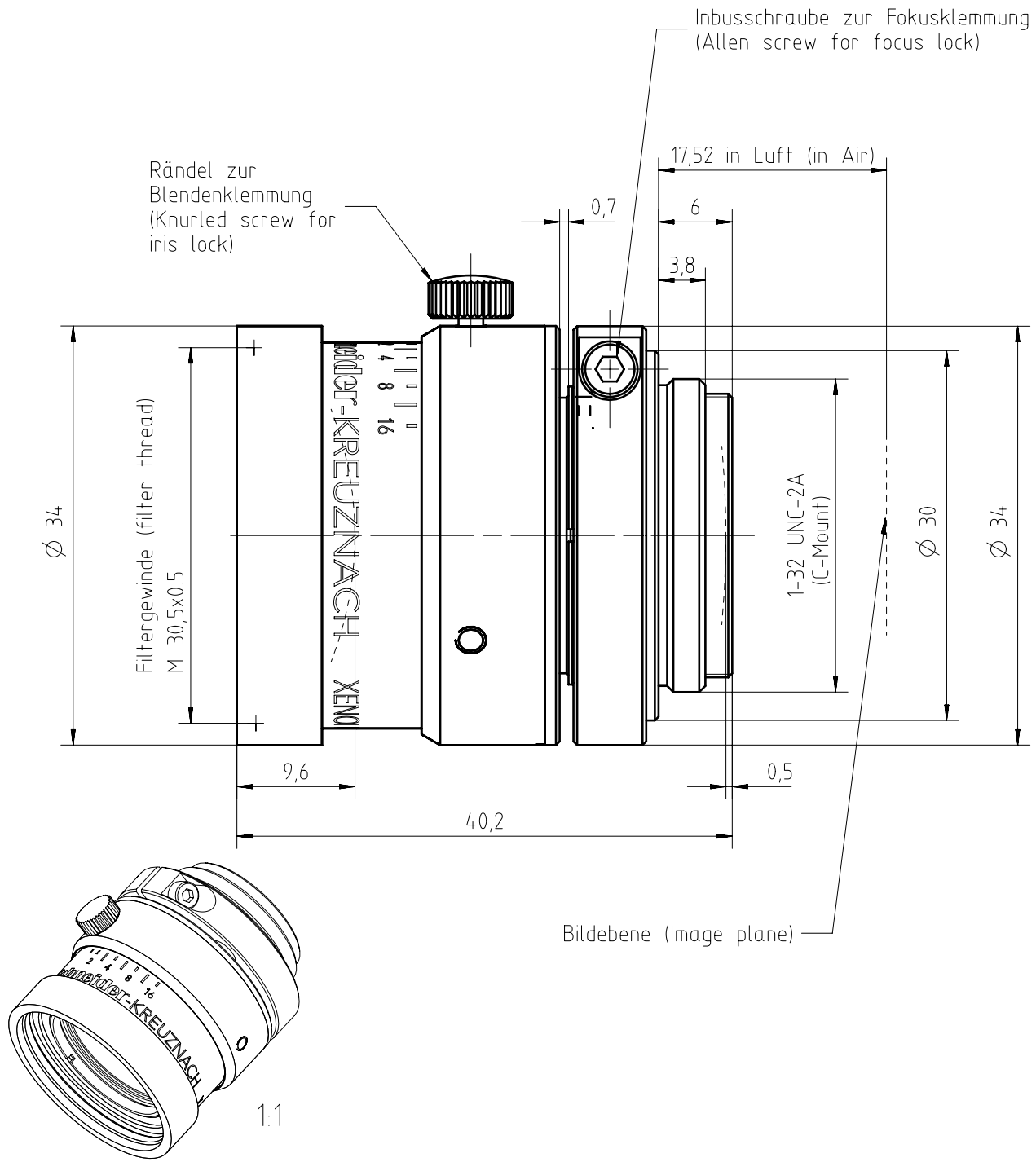


Schutzvermerk ISO 16016 beachten. The reproduction, distribution and utilization of this document as well as the communication of its contents to others without explicit authorization is prohibited. Offenders will be held liable for the payment of damages. All rights reserved in the event of the grant of a patent, utility model or design.



Optische Grunddaten bei $\lambda = 555\text{nm}$ (optical Data at $\lambda = 555\text{nm}$)

f'	24,22	s'_{AP}	-18,61	Blendenbereich (iris range)	2,0-16
$s'_{F'}$	12,05	β' Bereich (β' area)	0 - 1:42	Blendendurchmesser Nennwert (aperture diameter nominal)	7,8
$s'_{H'}$	-12,17	β'_p ($\beta' = 0$)	1,27	Filtergewinde (Filter thread)	M 30,5x0,5
HH'	-1,98	00' ($\beta' = 1:625$)	15052	Sonstige Angaben (other information)	
$S_1 S_k$	30,14	s ($\beta' = 1:625$)	-15010	Schutzkappe vorn (front lens cap)	30344
s_{EP}	14,78	s'_k ($\beta' = 1:625$)	12,05	Schutzkappe hinten (rear lens cap)	30422
Bildkreis (image circle)			17,6	Gewicht (weight)	90g
Angaben ohne Einheiten in mm (all dimensions without unit in mm)				Bestell- Nr. (order-no.)	1081347

Datum (date) 02.02.17 Nur zur Information (only for information)

Freigabe (release)	
R & D	<input checked="" type="checkbox"/>
Production	<input checked="" type="checkbox"/>
Sales	<input checked="" type="checkbox"/>
VT	<input checked="" type="checkbox"/>

XENON TOPAZ 2,0/25-0901
 Jos. Schneider Optische Werke GmbH
 Ringstr. 132 55543 Bad Kreuznach
 Germany

