

MERCURY

- *Ultra small, light and robust*
- *1/2.3" CMOS sensor*
- *Compatible with GenICam™ and GigE Vision®*
- *Power over Ethernet (PoE)*
- *10 Megapixels*
- *2 Programmable GPIOs*

MER-1070-10GM/GC-P



The MERCURY family is DAHENG's smallest digital camera. Thanks to the extremely compact, robust metal housings and locking screw connectors, MERCURY cameras can secure the reliability of cameras deployed in harsh environments. These cameras have an outstanding price/performance ratio. The MERCURY family cameras are especially suitable for machine vision applications such as surface inspection, alignment, defect detection, measurement, OCR, bar code and data code identification and so on. They are also suitable for desktop applications, such as medical and documents imaging.

- Power over Ethernet (IEEE802.3af compliant)
- 12-bit or 8-bit Bayer/Mono output
- Programmable AOI, increased frame rate with partial scan
- Gain, exposure and white-balance control
- Flash sync for firing external lights at precisely the moment when exposure is performed
- Adjustable package-size and package-delay
- Programmable LUTs
- Storable user sets
- Support color correction for improve image quality
- Robust full metal housing and optional lockable devices
- Long cable lengths: In excess of 100 m (without any hubs, repeaters or etc.)
- Compatible with GenICam™ and GigE Vision®, can be used in a wide range of 3rd-party software such as HALCON and LABVIEW directly
- Optimized software package for lower CPU loads in host running 32/64bit Windows
- Free SDK and examples for various programming tools
- Regulations: CE, RoHS

MERCURY

MER-1070-10GM/GC-P

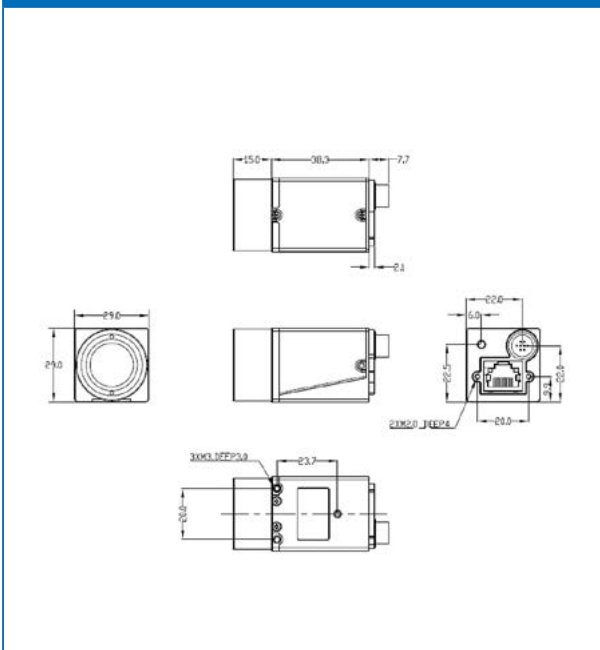
Performance Specifications

| | |
|------------|---|
| Model | MER-1070-10GM/GC-P |
| Interface | GigE |
| Resolution | 3840(H) x 2748(V) |
| Frame rate | 10 fps |
| Sensor | 1/2.3 inch ON MT9J003 CMOS |
| Cell size | 1.67 μm x 1.67 μm |
| Spectrum | Monochrome / Color |

Mechanical Specifications

| | |
|------------|---|
| Weight | 75g |
| Dimensions | 29x29x38.3mm, w/o adapter or connectors |
| Material | Metal enclosed (Housing) |

Dimensions



Electrical Specifications

| | |
|-------------------|-----------------------------|
| Power requirement | 12 VDC via 8-Pin or PoE |
| I/Os | 1 input / 1 output, 2 GPIOs |
| Data interface | RJ45 |
| Power consumption | <3W @12V, <3.75W@PoE |

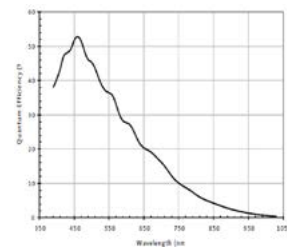
Environmental Specifications

| | |
|--------------------|---------------|
| Operating temp. | 0°C ~ +45°C |
| Storage temp. | -20°C ~ +70°C |
| Operating humidity | 10% ~ 80% |

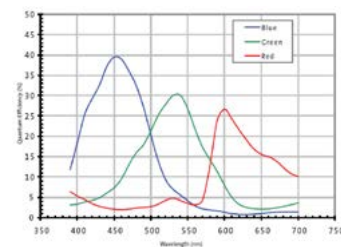
Optical Specifications

| | |
|------------|---------|
| Lens mount | C-Mount |
|------------|---------|

Spectral Response



MER-1070-10GM-P



MER-1070-10GC-P



www.daheng-image.com

China Daheng Group, Inc. Beijing Image Vision Technology Branch

12F Daheng Science Technology Tower, No.3 Suzhou Str., Haidian District,

Beijing 100080, China

Tel: +86(10) 82828878

E-mail: sales@daheng-image.com

