

# T21Z5816AMSP-CS2

**21X 5.8mm - 121.8mm F1.6**  
**for 1/3 type Cameras, Motorized Zoom**  
**CS-Mount**

with Video Auto Iris and Preset

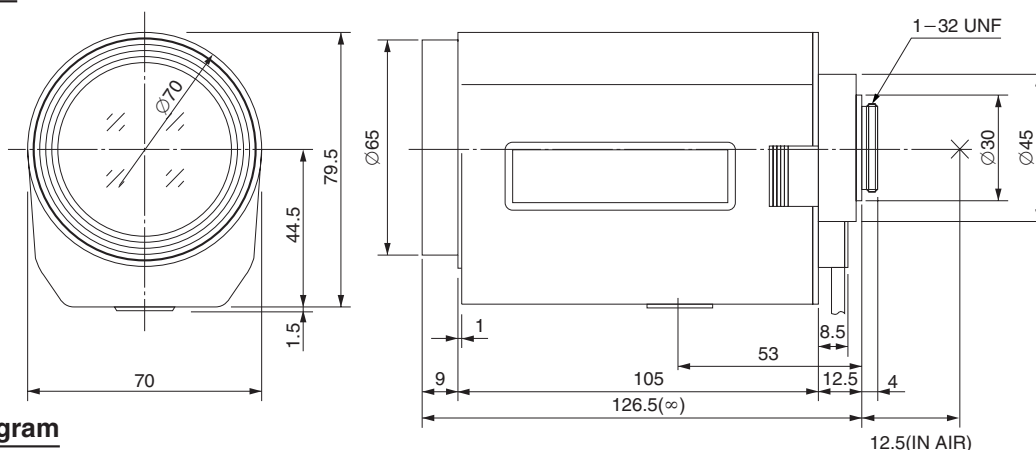
1/3  
type

CS

Model No.	T21Z5816AMSP-CS2		Effective	Front	Ø53.2mm
Focal Length	5.8mm - 121.8mm		Lens Aperture	Rear	Ø10.6mm
Max. Aperture Ratio	1:1.6		Back Focal Length	13.6mm	
Max. Image Format	4.8mm x 3.6mm(Ø6mm)		Flange Back Length	12.5mm	
Operation Range	Iris	F1.6 - F560C	Mount	CS-Mount	
	Focus	1.5m - Inf.	Filter Size	M62 P=0.75mm	
	Zoom	5.8mm - 121.8mm	Tripod Screw	1/4 - 20UNC	
Control	Iris	Video Auto Iris	Dimensions	W70mm x H81mm x D126.5mm	
	Focus	Motorized, Preset	Weight	740g	
	Zoom	Motorized, Preset			
Object Dimension at M.O.D.	5.8mm	123.7cm x 91.1cm			
	121.8mm	6cm x 4.7cm			
Angle of View	D	1/3 type	55.5° - 2.9°	1/4 type	42.0° - 2.2°
	H		44.8° - 2.3°		33.8° - 1.8°
	V		33.8° - 1.8°		25.3° - 1.3°
	Iris		Focus		Zoom
Supply Voltage	DC8.5V - DC16V		DC8V	DC8V	
Current	40mA or less		40mA or less	35mA or less	
Response Time	Approx. 2 sec.		Approx. 4.5 sec.	Approx. 3.5 sec.	
Preset Potentiometer	—		5kΩVR	5kΩVR	
Light Weighting Method	Adjustable between Average - Peak (to be Set at Average at Factory)				
Remote Control	Level Remote (Option) / ALC Remote (Option)				
Input Signal	Video Signal (V. or V.S.)				
Iris Accuracy	±15% at Video Signal Level				
Sensitivity Adjustment	0.5(p-p) - 1.0V(p-p) (Video Signal)				
Input Impedance	High Impedance				
Operating Temperature	-10°C - +50°C				

## Dimensions

M.O.D. : Minimum Object Distance



## Wiring Diagram

