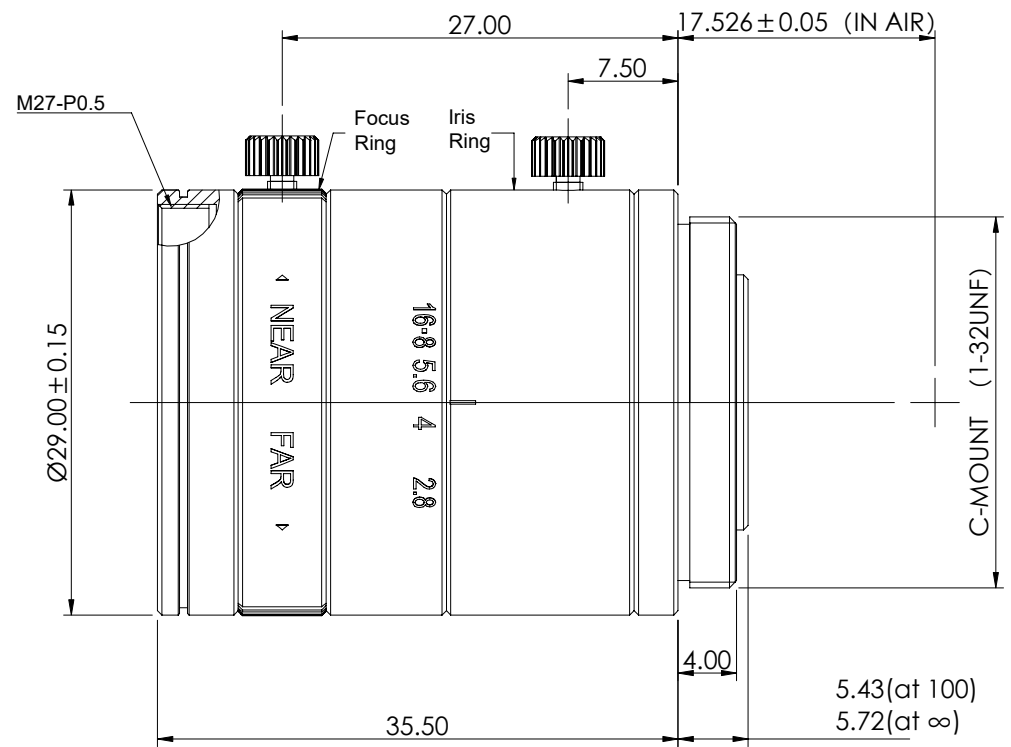


A	
Optical Specification	
Model	COB1228-V2.0
Focal Length(mm)	12
Sensor	1/1.8"
Resolution	2.2μm
Adjustion Type	Manual
Aperture	F2.8-F16
Working Distance(mm)	100~∞
Mag. at MOD	0.101X at WD100
TV Distortion	<0.16% at WD300
Back Facal Length (mm)	14.00 at WD100
	12.76 at Infinity
Chief Ray Angle	< 5°
Mount	C Mount
Filter	M27×P0.5
Size	∅29.00×35.50
Weight	58g
Working Temperature	-20°C~60°C



View Angle	
	Standard Difference
	IT14
Drawing Code	A

Remark	Item	Signature	Date
	Drawing		
	Design		
	Check		
	Approve		
	Paper Size	A4	
	Revised Date	2020-5-23	Scale

COB1220-V2.0			
Page	1/1 Total Page	Version	A01