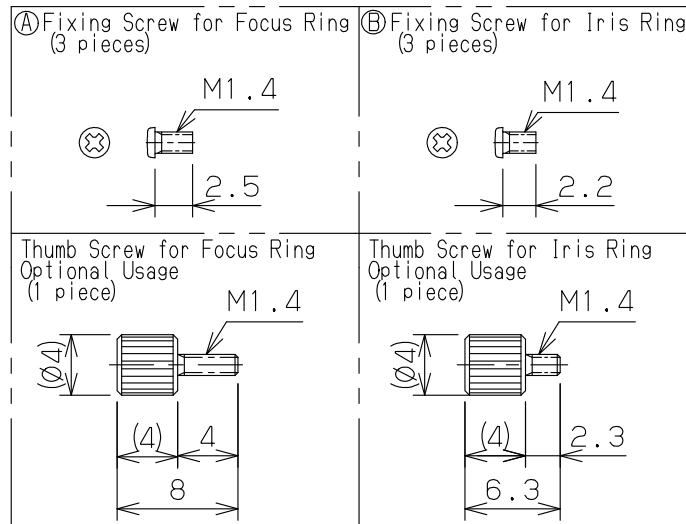


Ⓐ Fixing Screw for Focus Ring

Small Pan-Headed Screw M1.4-2.5
(3 Positions)

Ⓑ Fixing Screw for Iris Ring

Small Pan-Headed Screw M1.4-2.2
(3 Positions)



FL-CC1614-5M

SPEC. INFO 3131635-S001-RC-B33
Oct.09.2012

RICOH