

# SPECIFICATION SHEET

<b>Sensor Spec</b> 传感器规格		1/2.5" AR0233 6.14x3.84, 7.25
<b>Max Image Circle</b> 最大像面		Ø4.29(183°)
<b>EFL 有效焦距</b>		1.37
<b>FNo. F值</b>		2.0mm
<b>F.O.V. 视场角</b>	D.对角	183°
	H.水平	183°
	V.垂直	161°
<b>Back Focal Length</b> 后截距		6.34mm (Include 0.4 C.G+0.3 Filter)
<b>Lens Effective Diameter</b> 通光口径	Front 前面	Ø22mm
	Back 后面	Ø3.8mm
<b>Lens construction</b> 镜头组成		8-6
<b>F-Theta Distortion</b> F-Theta 畸变		-3.7%
<b>Resolution 分辨率</b>		For AR0233
<b>Relative Illumination</b> 相对照度		30%
<b>Iris 光圈</b>		Fixed
<b>Max Chief Ray Angle</b> 最大主光线入射角		5.3°
<b>M.O.D 最近物距</b>		0.15m
<b>Working Distance</b> 工作物距		∞
<b>Mount 接口</b>		M12x0.5-6g
<b>TTL 光学总长</b>		34.07mm (Include 0.4 C.G+0.3 Filter)
<b>Dimension (ØxL)</b> 外形尺寸		Ø22x28.46mm
<b>Filter Spec</b> 滤光片规格		一面镀AR COATING, 要求波长在450-620nm 平均反射率R<2%, 中心波长±10nm; 另外一面镀IR-CUT COATING, 420-630nm Tavg>92%; 650±10nm T=50%; 690-1000nm Tavg<5%.

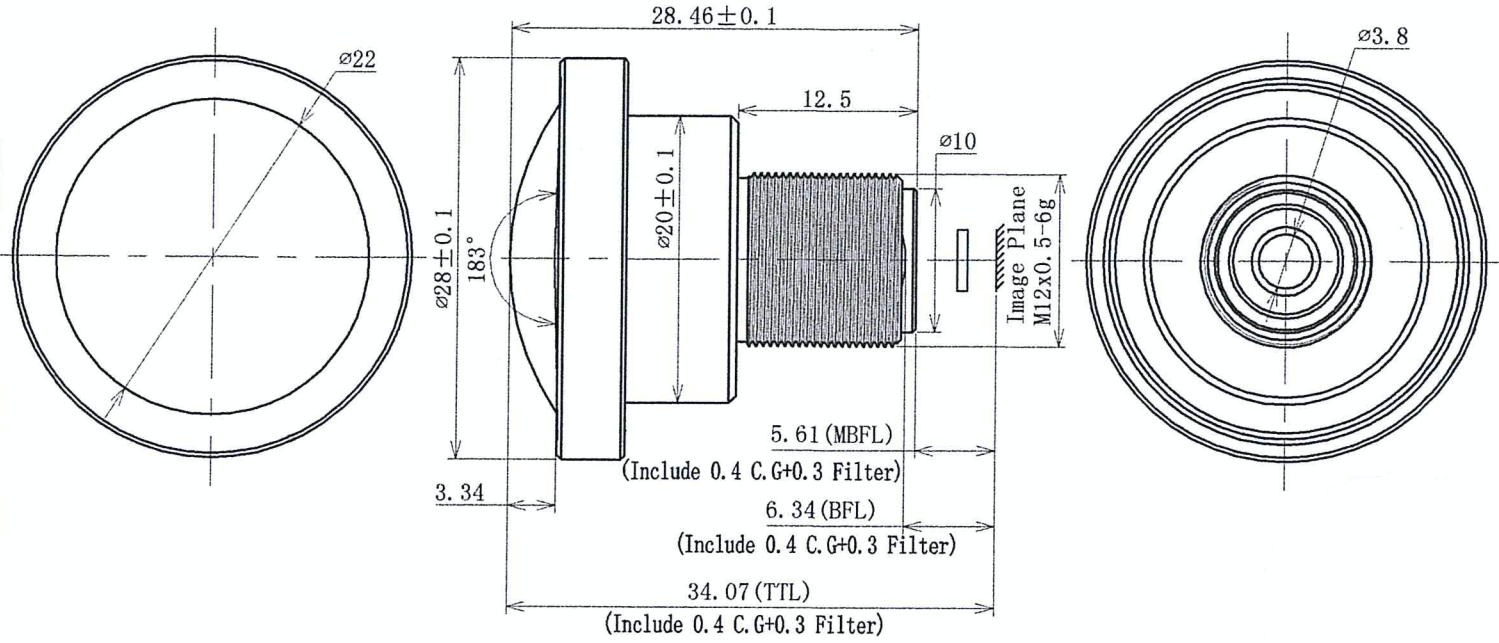


Image Circle vs. Sensor Format

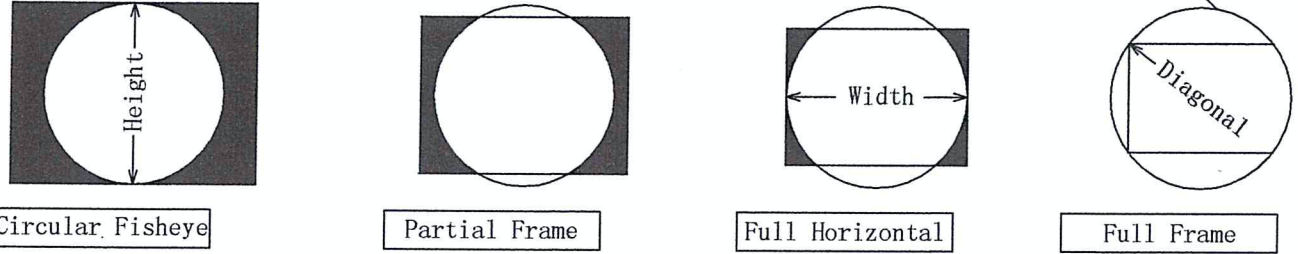


Image Circle

3						NAME	DATE	
2						DRAWN	Daphu	2019.10.21
1						CHECKED	John	19.10.21
00	2019.05.07	新规作成	HLQ	XJL	AUDI.			
REV.	NO.	DATE	DESCRIPTION	REVISED	APPR.	APPR.	Jack	2019.10.21
							UNLESS TOLERANCE	3RD Angle Projection

Single Part Size: ±0.1 Portfolio Size: ±0.3