

TG0412FCS-3

4mm F1.2
for 1/3 type Cameras, Fixed-focal Auto Iris DC Drive
CS-Mount

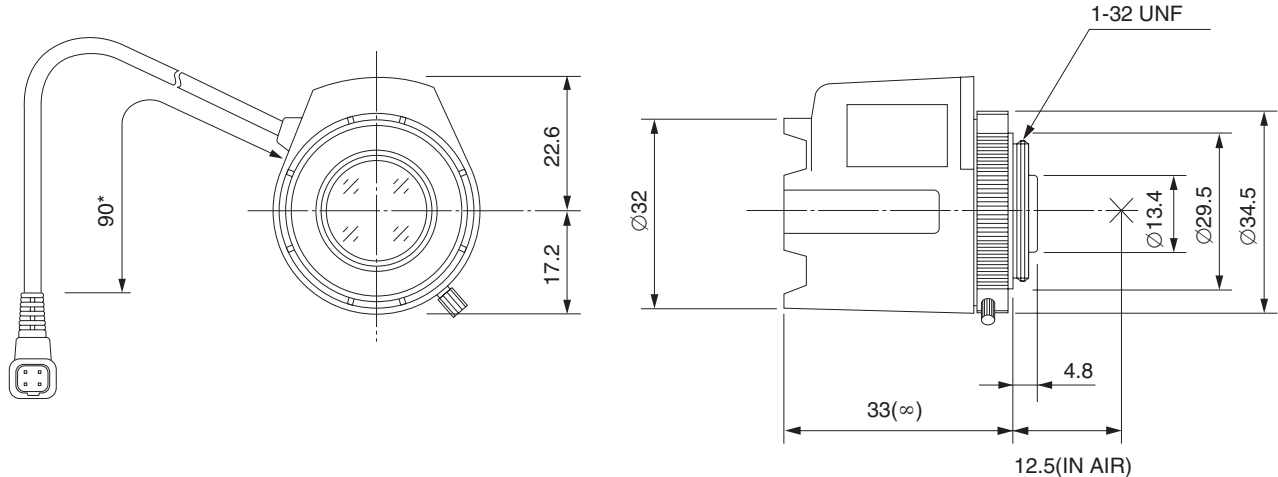
with Focus, w/o Amplifier

**1/3
type**

Model No.	TG0412FCS-3		Effective	Front	Ø15.5mm
Focal Length	4mm		Lens Aperture	Rear	Ø8.5mm
Max. Aperture Ratio	1:1.2		Back Focal Length	7.7mm	
Max. Image Format	4.8mm x 3.6mm(Ø6mm)		Flange Back Length	12.5mm	
Operation Range	Iris	F1.2 - F360C	Mount	CS-Mount	
	Focus	0.2m - Inf.	Filter Size	—	
Control	Iris	DC Auto Iris	Dimensions	Ø32mm x 39.8mm x 33mm	
	Focus	Manual	Weight	38g	
Object Dimension at M.O.D.	24.9cm x 18.3cm				
Angle of View	D	1/3 type	76.9°	1/4 type	60.4°
	H		63.9°		49.1°
	V		49.1°		37.3°
Coil	Drive	190Ω			
	Control	855Ω			
Operating Temperature	-20°C - +50°C				

M.O.D : Minimum Object Distance

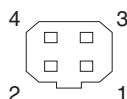
Dimensions



* : 310mm cable is available

CS

Wiring Diagram



Pin No.

1	BROWN	Control (-)
2	RED	Control (+)
3	YELLOW	Drive (+)
4	ORANGE	Drive (-)