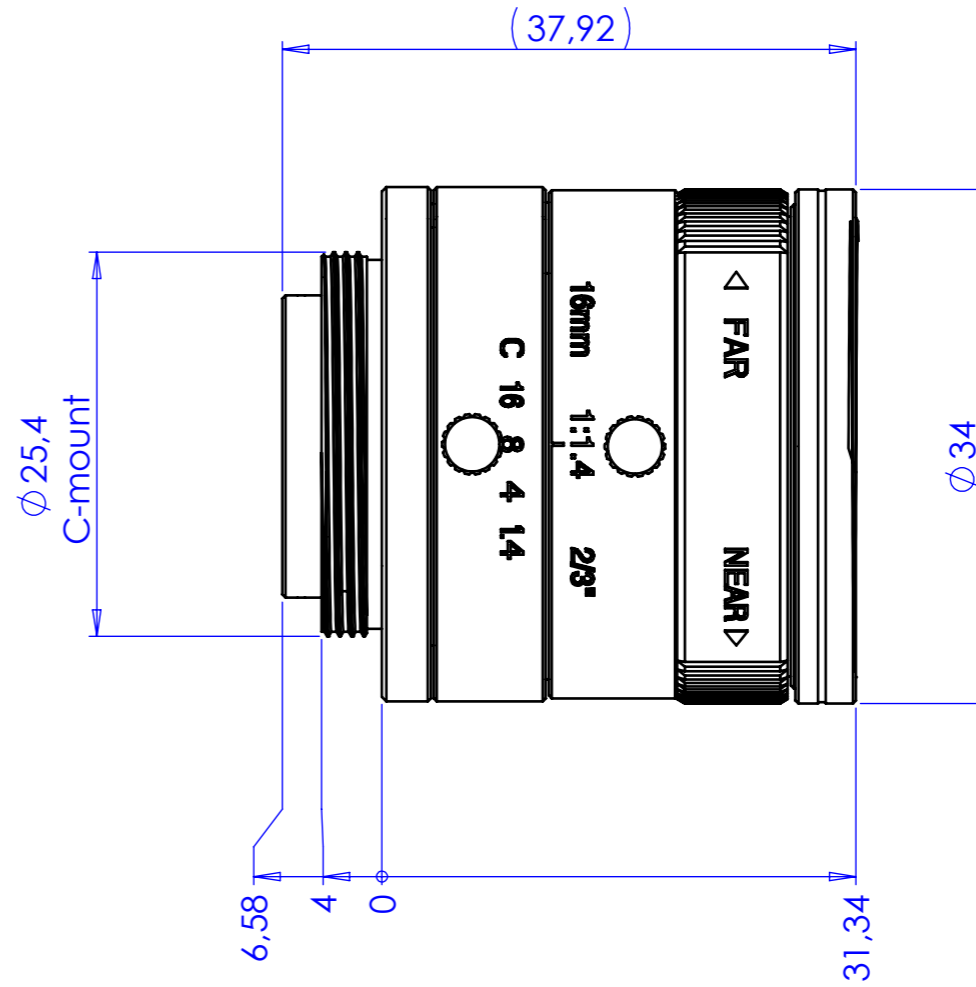
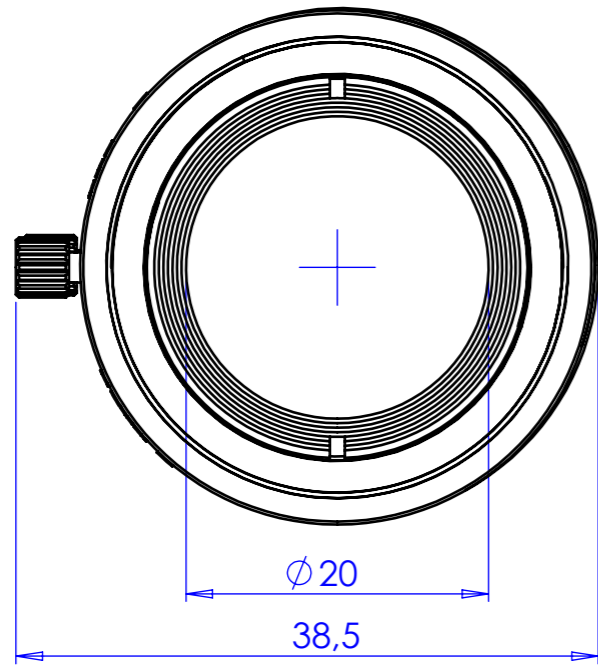


1 2 3 4 5 6 7 8

Rev No.	Description	Date	Name



D  
C  
B  
A

D  
C  
B  
A

Material		N.A.		Mass		6 g		Scale		2:1	
Surface treatment		N.A.		Part No.		COEN2MP1614					
Geometrical tolerance (ISO 2768-2)				Class	K	Undimensioned bevels		0,5x45°			
Linear tolerance (ISO 2768-2)				Class	m	Undimensioned radii		R 0,5			
0,5 ±3	>3± 6	>6± 30	>30± 120	>120 ±400	>400± 1000	>1000 ±2000	>2000 ±4000	Description			
±0,1	±0,1	±0,2	±0,3	±0,5	±0,8	±1,2	±2	Fixed focal EN2MP1614			
		Date		Name		Drawing No.		Sheet			
		Designed		Rodella		EN2MP1614		1/1			
		Drawn		Rodella		Secret and confidential - All rights reserved - No copy, dissemination or circulation is allowed unless specifically authorized in writing by OPTO ENGINEERING S.r.l. - Any violation shall be legally prosecuted.					
OPTO ENGINEERING S.r.l. - Mantova Italy - Tel. +39 0376 699111 - www.opto-engineering.com											

1 2 3 4 5 6 7 8

0 1 2 3 4 5 6 7 8 9 10