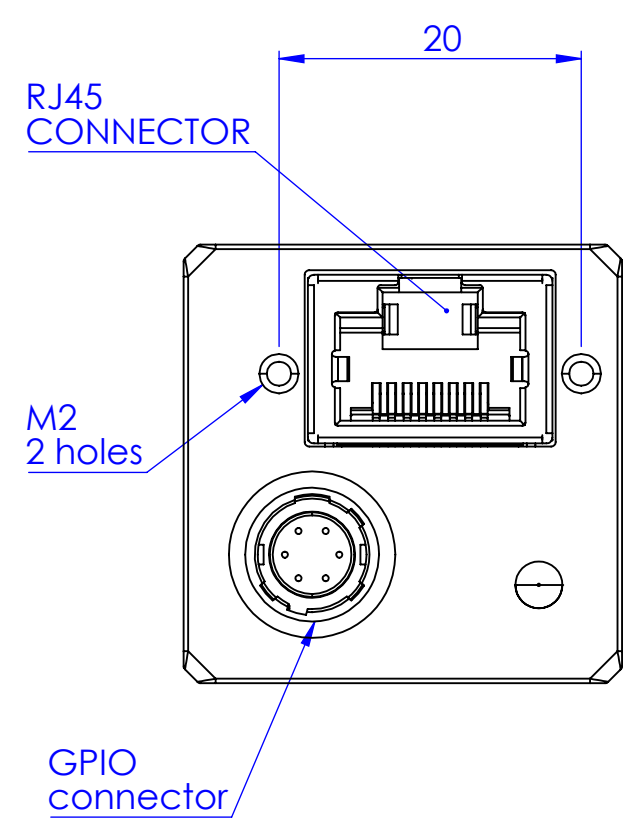
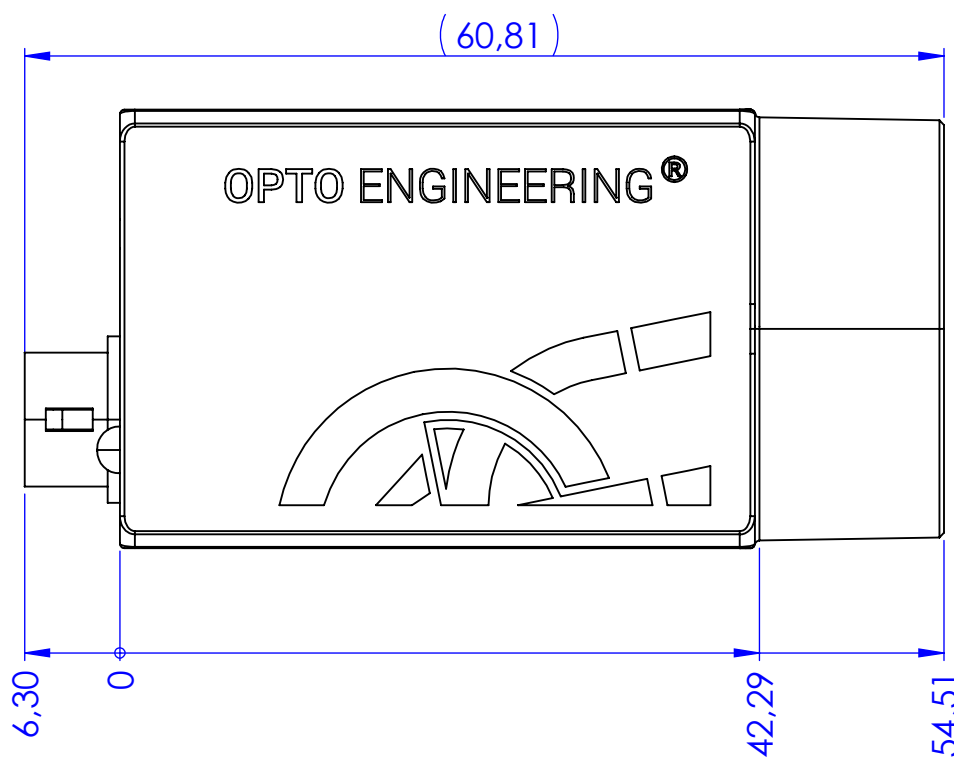
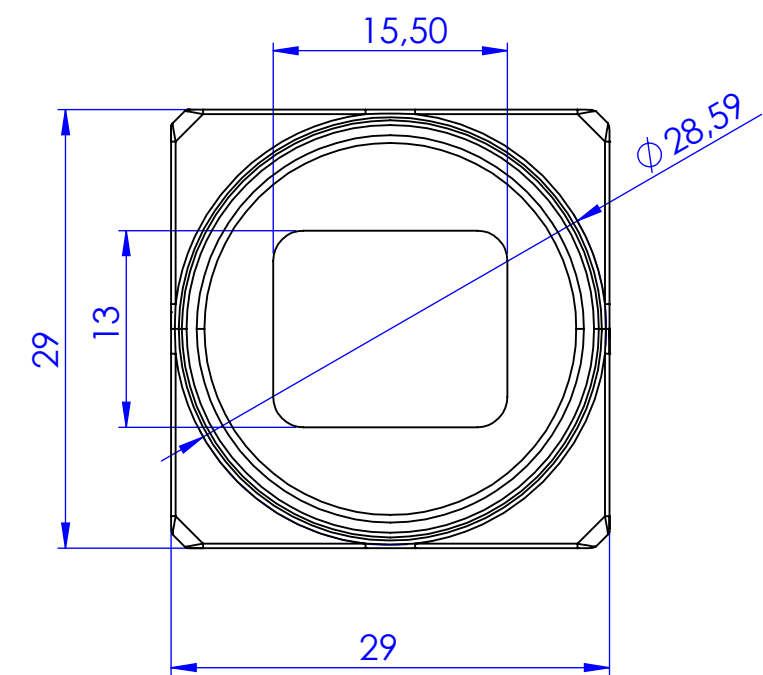
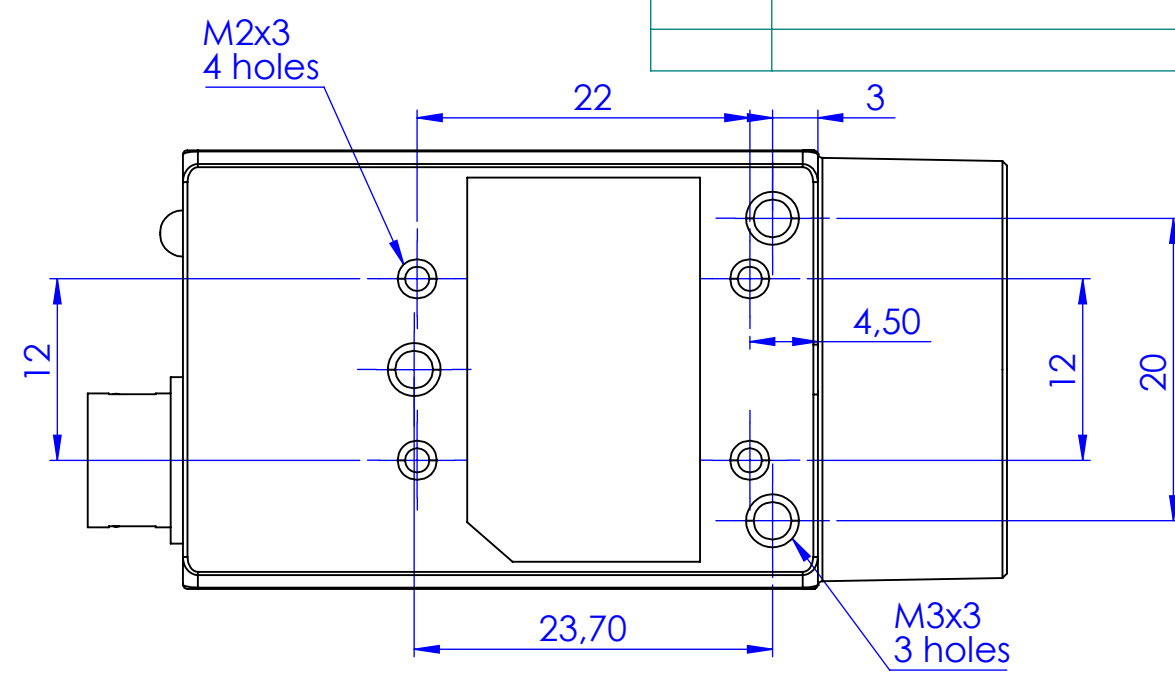
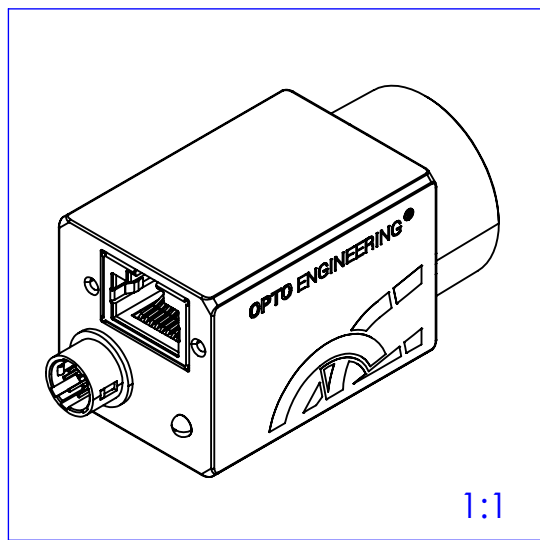


FOR MISSING DIMENSIONS SEE DW28945-A.STEP

Rev No.	Description	Date	Name



Material Materiale <non specificato>		Mass 34 g		Scale 2:1	
Surface treatment N.A.		Part No. CO28945		Description COE-XXX-Y-GIGE-TYPE1	
Geometrical tolerance (ISO 2768-2)		Class K	Undimensioned bevels	0,5x45°	
Linear tolerance (ISO 2768-2)		Class m	Undimensioned radii	R 0,5	
0,5 ±3	>3± 6	>6± 30	>30± 120	>120 ±400	>400± 1000
±0,1	±0,1	±0,2	±0,3	±0,5	±0,8
Date		Name		Drawing No.	
Designed 12/04/2019		Rodella		DP 28945-A	
Drawn 12/04/2019		Rodella		Sheet 1/1	
Checked 16/04/2019		Rodella		Secret and confidential - All rights reserved - No copy, dissemination or circulation is allowed unless specifically authorized in writing by OPTO ENGINEERING S.r.l. - Any violation shall be legally prosecuted.	

all dimensions are in mm

