

MERCURY SERIES

MER-500-14GM/C-P



- Ultra small, light and robust
- 1/2.5" Rolling Shutter CMOS sensor
- Compatible with GeniCam™ and GigE Vision®
- Gigabit Ethernet Interface
- Power over Ethernet (PoE)
- 5 Megapixels
- 2 Programmable GPIOs

The MERCURY GigE PoE series(MER-G-P) camera is DAHENG's mature area scan industrial digital camera, featuring high resolution, high definition, extremely low noise, perfect color conversion and compact design.

The MER-500-14GM/C-P camera is a monochrome/color GigE Vision camera with the Onsemi MT9P031/MT9P006 CMOS sensor. Thanks to the extremely compact (29mm × 29mm × 38.3mm), robust metal housings and locking screw connectors. The MERCURY cameras can secure the reliability of cameras deployed in harsh environments.

The MER-500-14GM/C-P camera is powered over Ethernet and has opto-isolated I/Os. The GPIOs give MER-G-P maximum flexibility to adapt to specific needs. The camera has an outstanding price/performance ratio.

The MERCURY family cameras are especially suitable for machine vision applications such as industrial inspection, medical, scientific research, education, security and so on.

- Power over Ethernet (IEEE802.3af compliant)
- 10-bit or 8-bit Mono/Bayer output
- Programmable AOI, increased frame rate with partial scan
- Gain and exposure programmable
- White-balance control (only for color models)
- Flash sync for firing external lights at precisely the moment when exposure is performed
- Adjustable packet-size and packet-delay
- Programmable LUTs
- Storable user sets
- Support color correction for improving image quality (only for color models)
- Robust full metal housing and optional lockable devices
- Cable lengths: up to 100 m (without any hubs, repeaters etc.)
- Compatible with GeniCam™ and GigE Vision®, can be used in a wide range of 3rd-party software such as HALCON and LabVIEW directly
- Optimized software package for lower CPU loads in host running 32/64bit Windows
- Free SDK and examples for various programming tools
- Regulations: CE, RoHS, GeniCam, GigE Vision, IEEE802.3af (PoE)

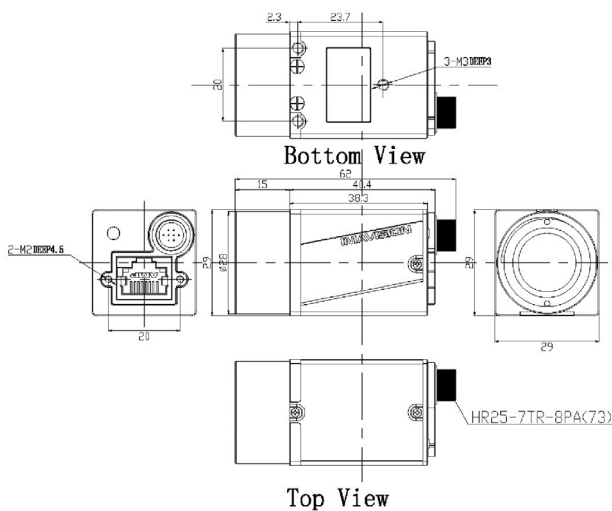
Performance Specifications

Model	MER-500-14GM/C-P
Interface	GigE
Resolution	2592(H) × 1944(V)
Frame rate	14 fps
Sensor	1/2.5", Rolling Shutter Onsemi MT9P031/MT9P006 CMOS
Cell size	2.2 μm × 2.2 μm
Spectrum	Monochrome / Color

Mechanical Specifications

Weight	75g
Dimensions	29x29x38.3mm, w/o adapter & connectors
Material	Metal enclosed (Housing)

Dimensions



Electrical Specifications

Power requirement	12 VDC via 8-Pin or PoE
I/Os	1 input / 1 output, 2 GPIOs
Data interface	RJ45
Power consumption	<2W @12V, <2.5W@PoE

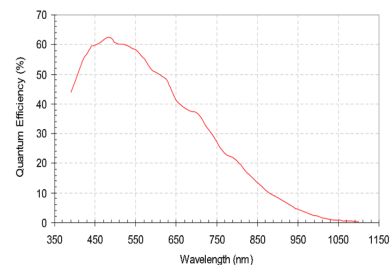
Environmental Specifications

Operating temp.	0°C ~ +45°C
Storage temp.	-20°C ~ +70°C
Operating humidity	10% ~ 80%

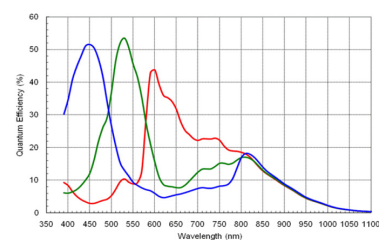
Optical Specifications

Lens mount	C-Mount
------------	---------

Spectral Response



MER-500-14GM-P



MER-500-14GC-P

China Daheng Group, Inc. Beijing Image Vision Technology Branch

12F Daheng Science Technology Tower, No.3 Suzhou Str., Haidian District,
Beijing 100080, China

Tel: +86(10) 82828878

E-mail: isales@daheng-image.com

For more information please see : www.daheng-image.com

Specifications are subject to change without prior notice.

Copyright © 2017 China Daheng Group, Inc. Beijing Image Vision Technology Branch. All rights reserved.

Dec.2017