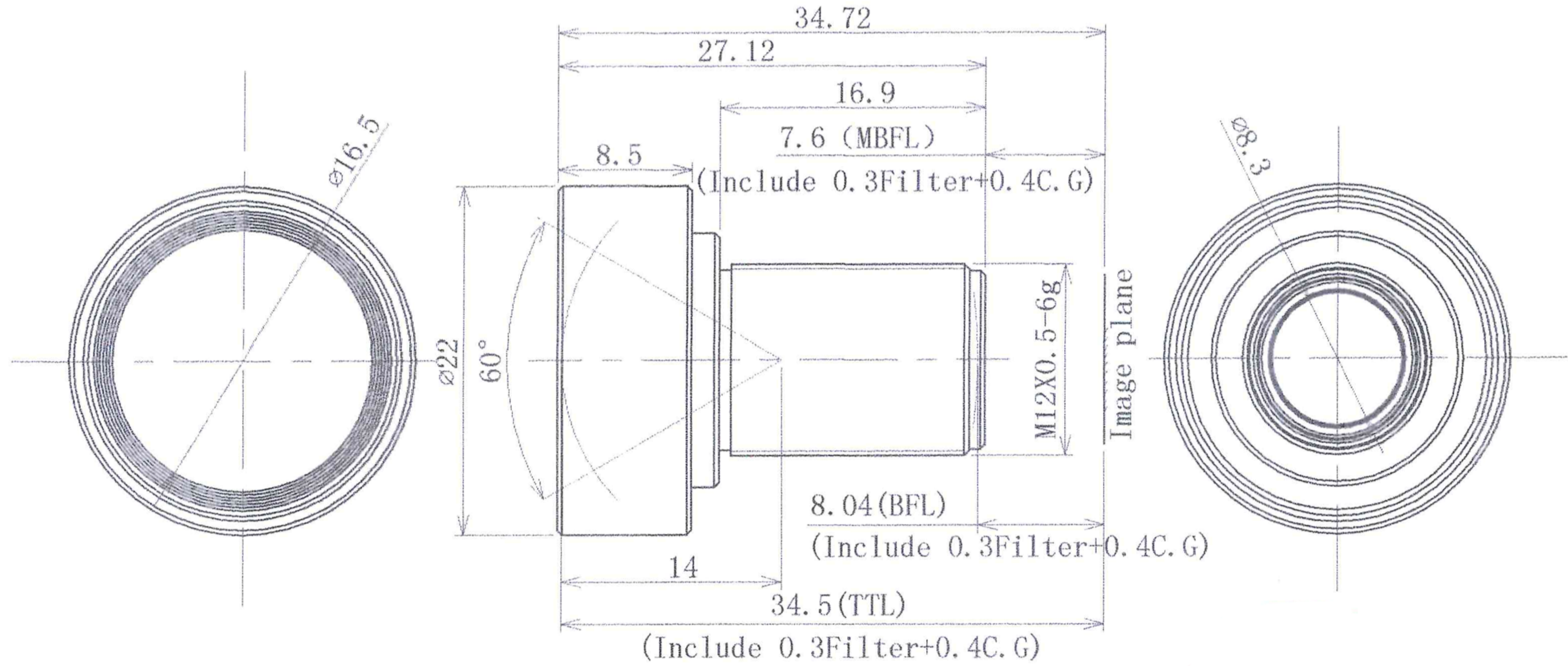


# SPECIFICATION SHEET

|                                |       |                                      |
|--------------------------------|-------|--------------------------------------|
| <b>Sensor Spec</b>             |       | 1/1.8" CCD/COMS<br>7.68X4.32,8.81    |
| <b>Max Image Circle</b>        |       | Ø9mm                                 |
| <b>EFL</b>                     |       | 7.84mm                               |
| <b>FNo. F</b>                  |       | F2.6                                 |
| <b>F.O.V. 视场角</b>              | D.    | 60°                                  |
|                                | H.    | 53.3°                                |
|                                | V.    | 31.1°                                |
| <b>Back Focal Length</b>       |       | 8.04mm<br>(Include 0.3Filter+0.4C.G) |
| <b>Lens Effective Diameter</b> | Front | Ø16.5mm                              |
|                                | Back  | Ø8.3mm                               |
| <b>Lens construction</b>       |       | 9-8                                  |
| <b>OP Distortion</b>           |       | <-2.9%                               |
| <b>Resolution</b>              |       | 5M                                   |
| <b>Relative Illumination</b>   |       | >50%                                 |
| <b>Iris</b>                    |       | Fixed                                |
| <b>Max Chief Ray Angle</b>     |       | 8.7°                                 |
| <b>M.O.D</b>                   |       | 0.5 m                                |
| <b>Working Distance</b>        |       | INF                                  |
| <b>Mount</b>                   |       | M12X0.5-6g                           |
| <b>TTL</b>                     |       | 34.5mm<br>(Include 0.3Filter+0.4C.G) |
| <b>Dimension (ØxL)</b>         |       | Ø22x27.12mm                          |



|                         |                      |                          |
|-------------------------|----------------------|--------------------------|
| <b>UNLESS TOLERANCE</b> |                      | <br>3RD Angle Projection |
| Single Part Size: ±0.1  | Portfolio Size: ±0.3 |                          |