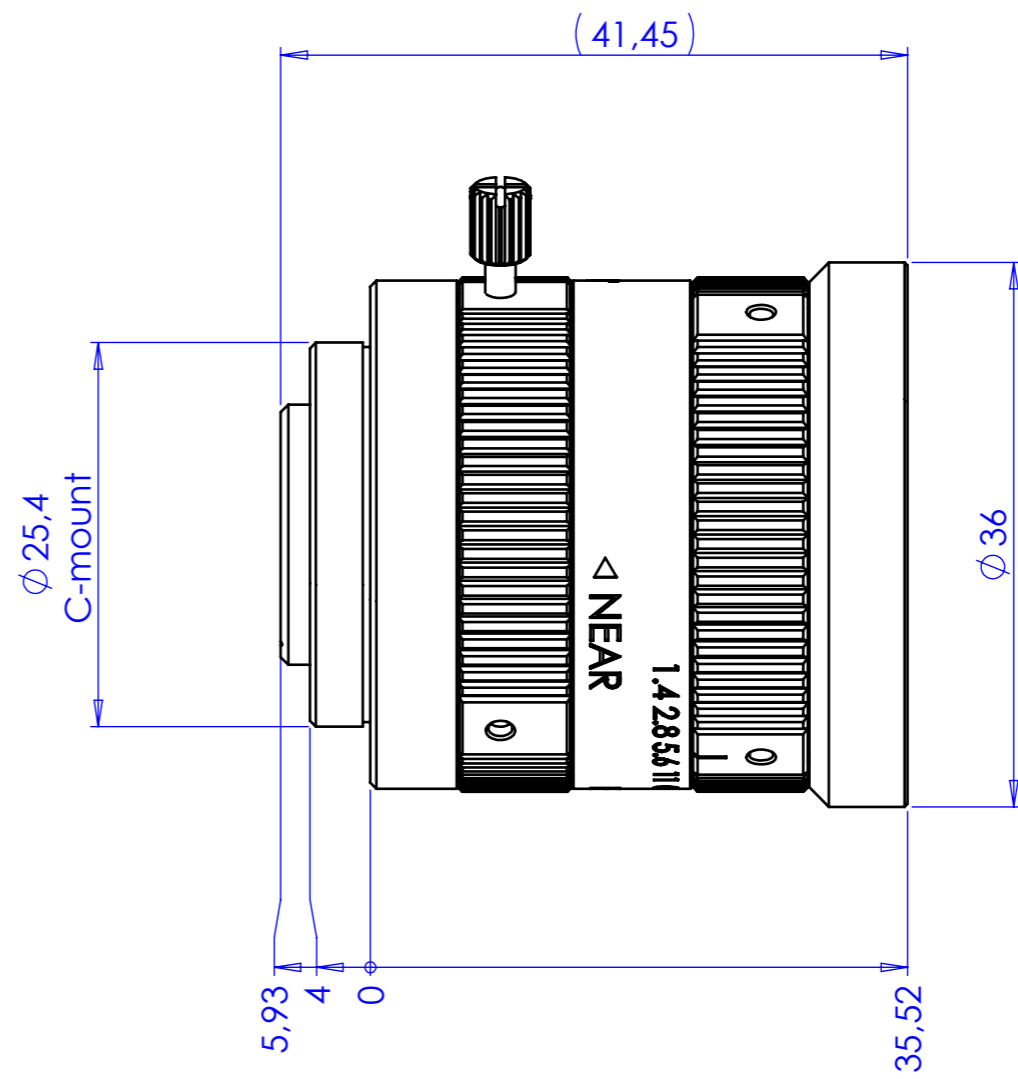
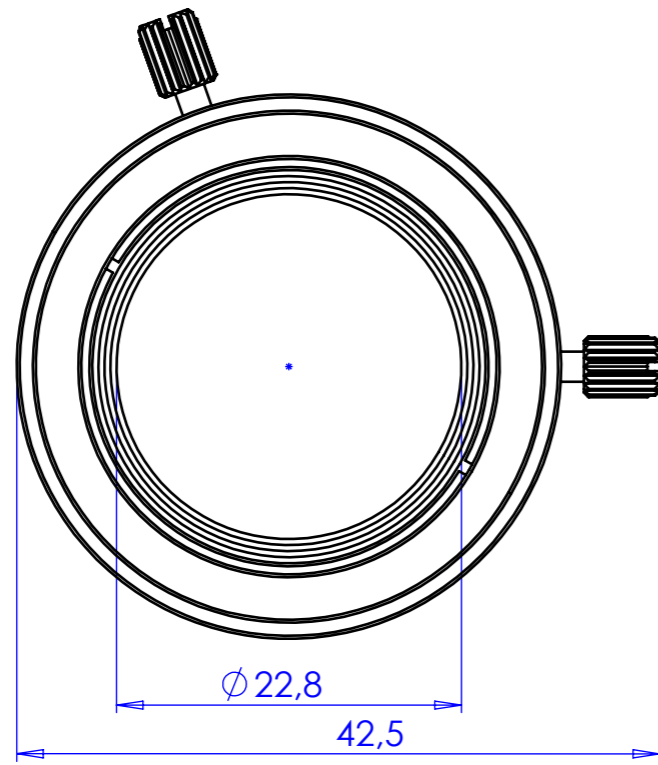


1 2 3 4 5 6 7 8

| Rev No. | Description | Date | Name |
|---------|-------------|------|------|
|         |             |      |      |
|         |             |      |      |
|         |             |      |      |



D  
C  
B  
A

D  
C  
B  
A

|  |          |           |             |              |               |                |                |                         |         |            |  |             |  |                       |  |
|--|----------|-----------|-------------|--------------|---------------|----------------|----------------|-------------------------|---------|------------|--|-------------|--|-----------------------|--|
| Material   |          | N.A.      |             | Mass         |               | 14 g           |                | Scale                   |         | 2:1        |  |             |  |                       |  |
| Surface treatment  |          | N.A.      |             | Part No.     |               | COEN2MP0814    |                |                         |         |            |  |             |  |                       |  |
| Geometrical tolerance (ISO 2768-2)   |          |           |             |              |               |                |                | Class                   |         | K          |  |             |  |                       |  |
| Linear tolerance (ISO 2768-2)  |          |           |             |              |               |                |                | Class                   |         | m          |  |             |  |                       |  |
| 0.5<br>±3  | >3±<br>6 | >6±<br>30 | >30±<br>120 | >120<br>±400 | >400±<br>1000 | >1000<br>±2000 | >2000<br>±4000 | Undimensioned<br>bevels | 0.5x45° |            |  |             |  |                       |  |
| ±0.1   | ±0.1     | ±0.2      | ±0.3        | ±0.5         | ±0.8          | ±1.2           | ±2             | Undimensioned<br>radii  | R 0.5   |            |  |             |  |                       |  |
|  |          |           |             |              |               |                |                | Date                    |         | Name       |  | Description |  |                       |  |
|  |          |           |             |              |               |                |                | Designed                |         | 05/04/2018 |  | Rodella     |  | Fixed focal EN2MP0814 |  |
|  |          |           |             |              |               |                |                | Drawn                   |         | 05/04/2018 |  | Rodella     |  | Drawing No.           |  |
| Checked  |          |           |             |              |               |                |                |                         |         | EN2MP0814  |  | Sheet       |  |                       |  |
| OPTO ENGINEERING S.r.l. - Mantova Italy - Tel. +39 0376 699111 - www.opto-engineering.com  |          |           |             |              |               |                |                |                         |         |            |  | 1/1         |  |                       |  |
| Secret and confidential - All rights reserved - No copy, dissemination or circulation is allowed unless specifically authorized in writing by OPTO ENGINEERING S.r.l. - Any violation shall be legally prosecuted. |          |           |             |              |               |                |                |                         |         |            |  |             |  |                       |  |

all dimensions are in mm

1 2 3 4 5 6 7 8

0 1 2 3 4 5 6 7 8 9 10