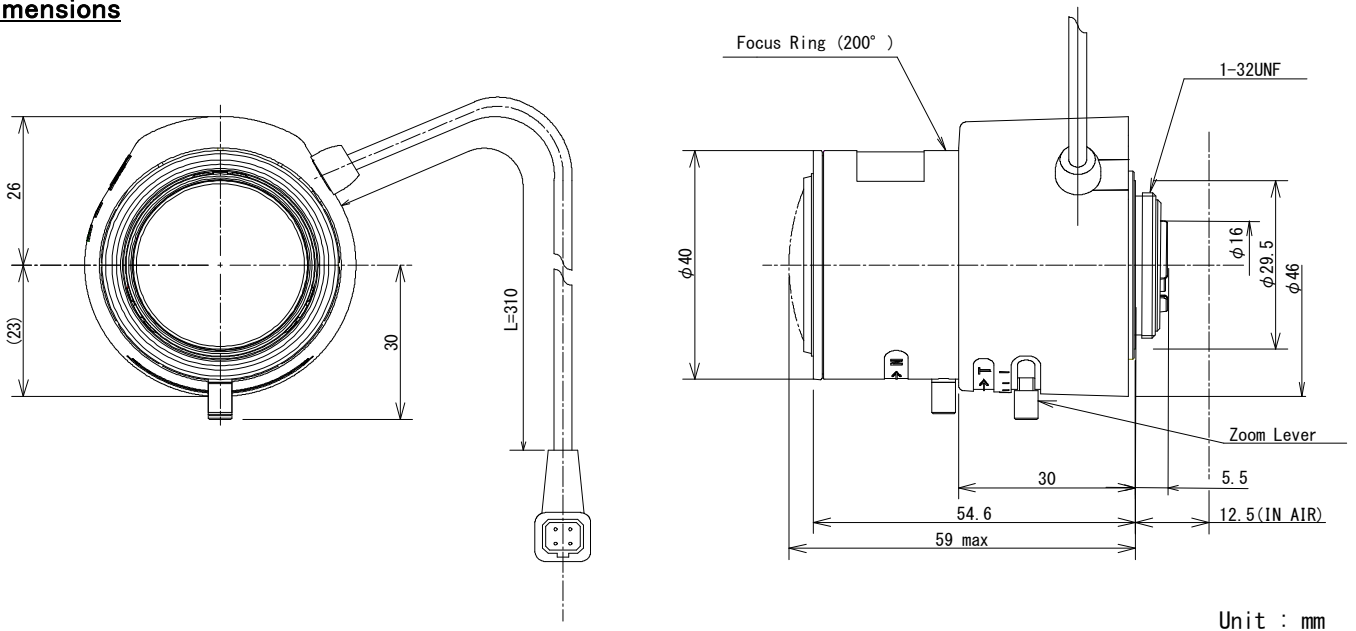


EG3Z3915FCS-MPWIR

**3X 3.9mm-10mm F1.5 Day & Night
for 1/1.8 type Megapixel Cameras, Vari-focal Auto Iris DC Drive
CS-Mount**

Model No.		EG3Z3915FCS-MPWIR		Effective	Front	ϕ 25.0mm	
Focal Length		3.9mm - 10mm		Lens Aperture	Rear	ϕ 10.0mm	
Max. Aperture Ratio		1:1.5		Back Focal Length	Tele	8.5mm	
Max. Image Format		7.1mm x 5.4mm (ϕ 8.9mm)			Wide	8.5mm	
Operation Range	Iris	F1.5 - F360C		Flange Back Length		12.5mm	
	Focus	0.8m - Inf.		Mount		CS-Mount	
	Zoom	3.9mm - 10mm		Filter Size		-	
Control	Iris	DC Auto Iris		Dimensions		ϕ 40 mm x 49 mm x 59 mm	
	Focus	Manual		Weight		72g	
	Zoom	Manual					
Angle of View	D	1/1.8 type	144.1° - 52.9°	1/2 type	124.8° - 47.5°	1/3 type	89.3° - 35.5°
	H		108.1° - 42.1°		96.0° - 37.9°		70.2° - 28.4°
	V		79.7° - 32.0°		70.2° - 28.4°		52.1° - 21.3°
Coil	Drive	190 Ω /20°C					
	Control	855 Ω /20°C					
Operating Temperature		-20°C - +60°C					

Dimensions



Wiring Diagram

