

MERCURY SERIES

MER-530-20GM-P NIR



- Ultra small, light and robust
- 1" Global Shutter CMOS sensor
- Optimized NIR response
- Compatible with GeniCam™ and GigE Vision®
- Gigabit Ethernet Interface
- Power over Ethernet (PoE)
- 5.3 Megapixels
- 2 Programmable GPIOs

The MERCURY GigE PoE series(MER-G-P) camera is DAHENG's mature area scan industrial digital camera, featuring high resolution, high definition, extremely low noise and compact design.

The MER-530-20GM-P NIR camera is a monochrome GigE Vision camera with the Onsemi PYTHON 5000 CMOS sensor, the sensor has optimized response in the near-infrared band. Thanks to the extremely compact (29mm × 29mm × 38.3mm), robust metal housings and locking screw connectors. The MERCURY cameras can secure the reliability of cameras deployed in harsh environments.

The MER-530-20GM-P NIR camera is powered over Ethernet and has opto-isolated I/Os. The GPIOs give MER-G-P maximum flexibility to adapt to specific needs. The camera has an outstanding price/performance ratio.

The MERCURY family cameras are especially suitable for machine vision applications such as industrial inspection, medical, scientific research, education, security and so on.

- Power over Ethernet (IEEE802.3af compliant)
- 10-bit or 8-bit Mono output
- Programmable AOI, increased frame rate with partial scan
- Gain and exposure programmable
- Flash sync for firing external lights at precisely the moment when exposure is performed
- Adjustable packet-size and packet-delay
- Programmable LUTs
- Storable user sets
- Robust full metal housing and optional lockable devices
- Cable lengths: up to 100 m (without any hubs, repeaters etc.)
- Compatible with GeniCam™ and GigE Vision®, can be used in a wide range of 3rd-party software such as HALCON and LabVIEW directly
- Optimized software package for lower CPU loads in host running 32/64bit Windows
- Free SDK and examples for various programming tools
- Regulations: CE, RoHS, GeniCam, GigE Vision, IEEE802.3af (PoE)

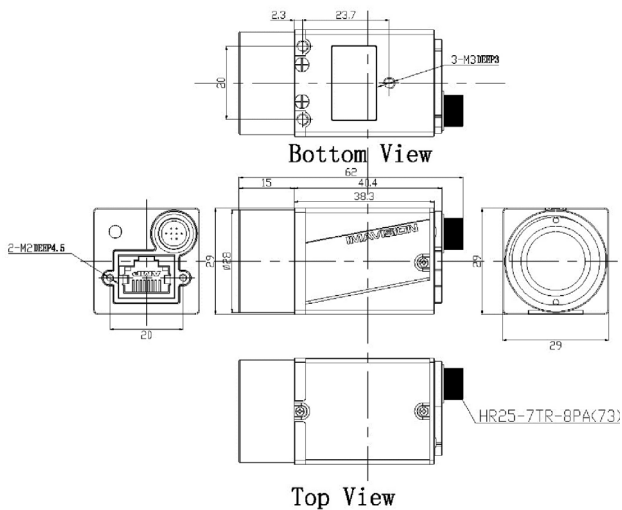
Performance Specifications

| | |
|------------|---|
| Model | MER-530-20GM-P NIR |
| Interface | GigE |
| Resolution | 2592(H) × 2048(V) |
| Frame rate | 20 fps |
| Sensor | 1" ,Global Shutter Onsemi PYTHON 5000 CMOS |
| Cell size | 4.8 μm × 4.8 μm |
| Spectrum | Monochrome NIR |

Mechanical Specifications

| | |
|------------|--|
| Weight | 75g |
| Dimensions | 29x29x38.3mm, w/o adapter & connectors |
| Material | Metal enclosed (Housing) |

Dimensions



Electrical Specifications

| | |
|-------------------|-----------------------------|
| Power requirement | 12 VDC via 8-Pin or PoE |
| I/Os | 1 input / 1 output, 2 GPIOs |
| Data interface | RJ45 |
| Power consumption | <3W @12V, <3.75W@PoE |

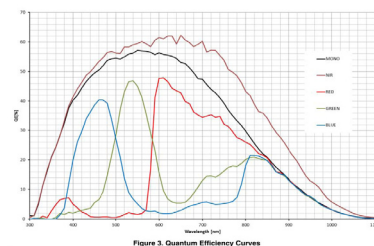
Environmental Specifications

| | |
|--------------------|---------------|
| Operating temp. | 0°C ~ +45°C |
| Storage temp. | -20°C ~ +70°C |
| Operating humidity | 10% ~ 80% |

Optical Specifications

| | |
|------------|---------|
| Lens mount | C-Mount |
|------------|---------|

Spectral Response



MER-530-20GM-P NIR

China Daheng Group, Inc. Beijing Image Vision Technology Branch

12F Daheng Science Technology Tower, No.3 Suzhou Str., Haidian District,
Beijing 100080, China

Tel: +86(10) 82828878

E-mail: isales@daheng-image.com

For more information please see : www.daheng-image.com

Specifications are subject to change without prior notice.

Copyright © 2017 China Daheng Group, Inc. Beijing Image Vision Technology Branch. All rights reserved.

Dec.2017