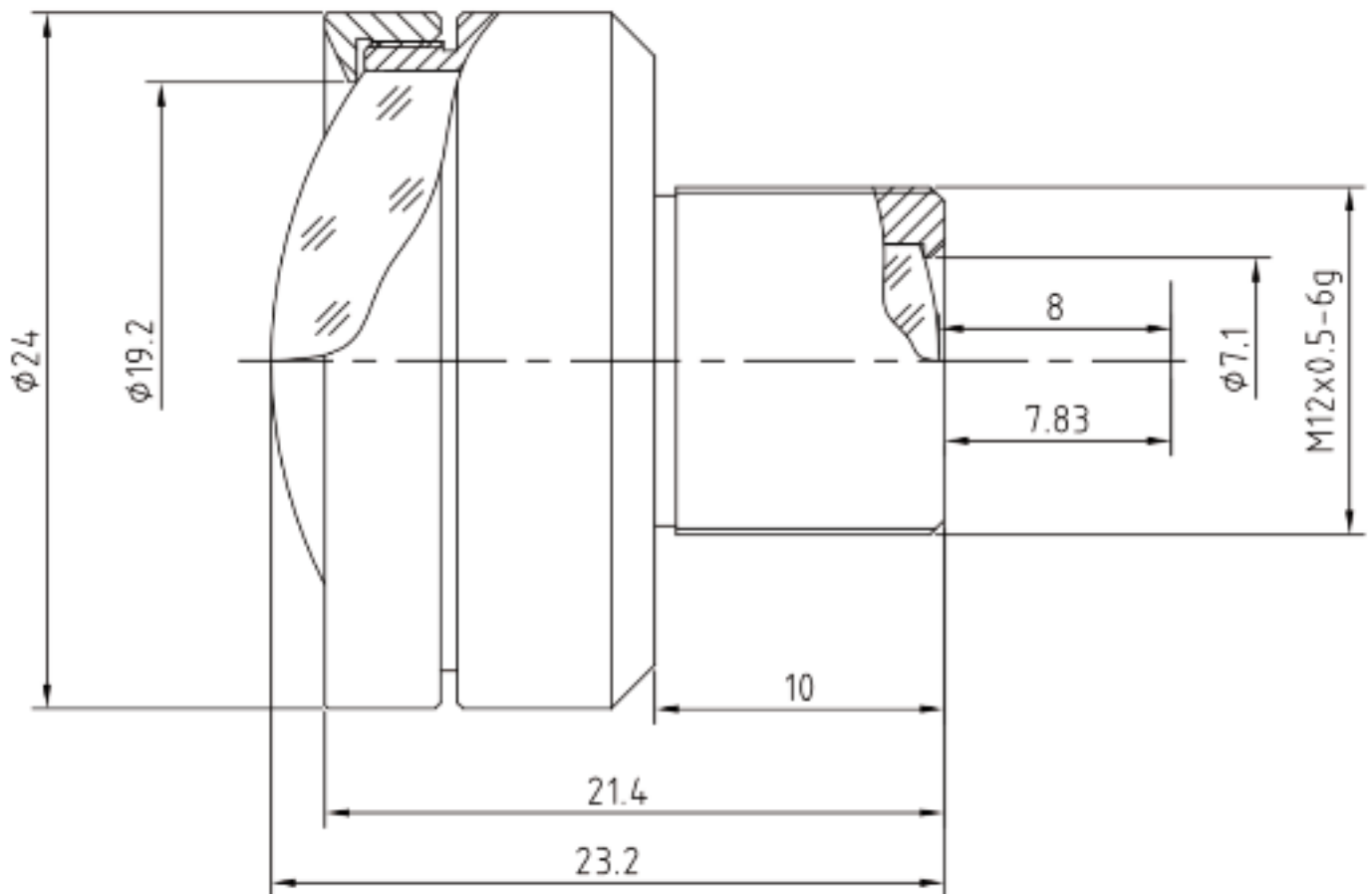


Model	BL-04018MP118IR	Lens effect. Diameter Front	19,2mm	M.O.D.	0.2m
Sensor	CCD/CMOS	Lens effect. Diameter Back	7,1mm	Iris	Fixed
Image Format	1/1.8"	Back Focal Lenght	8,0mm	MTF	MP
Focal Lenght	4,0mm			Mount	M12X0.5
Aperture	1.8			Dimension	Ø24x23,2mm
D/H/V-Angle	126°/101°/76°	Distortion		Weight	6g



	Order-Number	301497
	Model	BL-04018MP118IR
Internet: https://www.vision-dimension.com		
email: sales@vision-dimension.com		
Version	1.0	