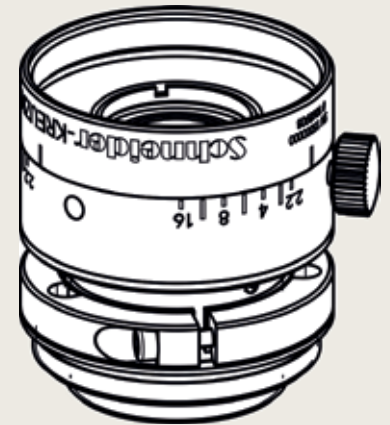


The Xenon-Ruby is a lightweight compact C-Mount lens for 1/1.8" sensor up to 10 megapixel resolution with 25 mm focal length. Robust, with lockable focus and iris setting this lens is vibration insensitivity guarantees a stable image performance that makes Xenon-Ruby high usable under industrial conditions.

The possibility to use this wide angle lens from near 145 mm working distance to infinity offers many opportunities to be implemented in barcode scanning systems in logistic center or aside a conveyer band of sorting systems.

Equipped with 400 nm - 1000 nm broadband AR-coating this lens functions for security and surveillance duty. Lenses with 10 mm, 16 mm and 35 mm focal length complete the Xenon-Ruby series.



Xenon-Ruby 2.2/25

Key features

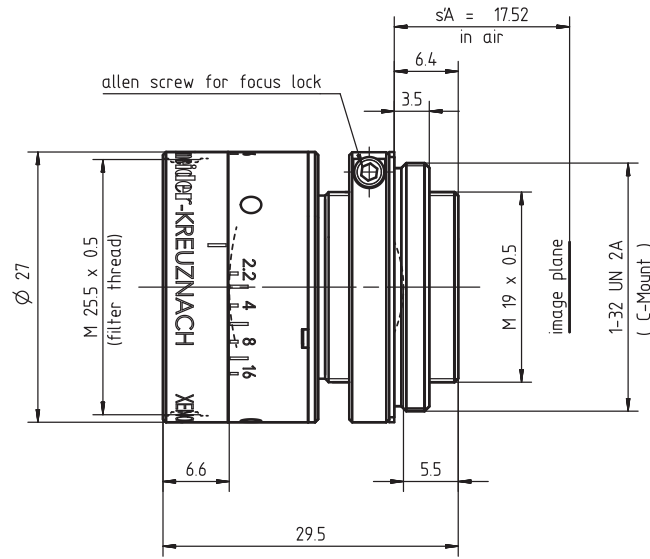
- For 1/1.8" sensors up to 10 megapixel
- 400 nm to 1000 nm Broadband AR coating
- Vibration insensitivity for stable imaging performance

Applications

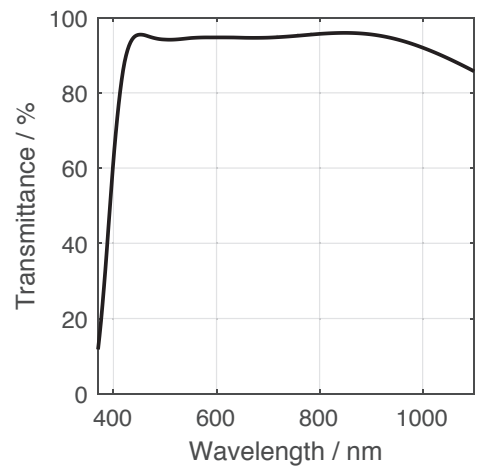
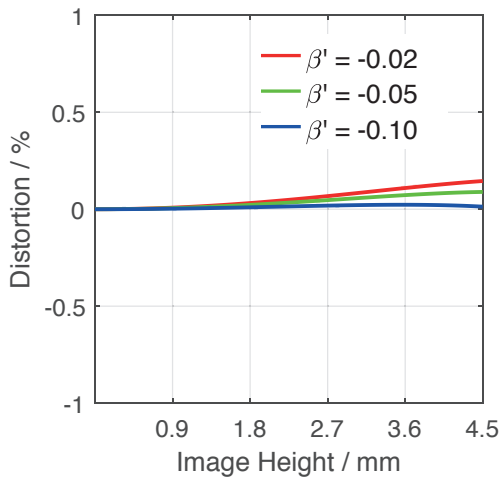
- Bar Code Scanner
- Sorting System
- Security and Surveillance

Name	Xenon-Ruby 2.2/25
Type	-0004
Focal Length [mm]	25
Magnification	-0.1
Image circle [mm]	9
Resolution [μm]	3.65
F/# range	2.2 ... 16
NA	0.23
Interface	C-Mount
Working distance [mm]	∞ - 263
AoV [°]	20
Focus control	manual
Transmission [nm]	400 - 1000
Filter thread [mm]	M 25.5 x 0.5
Dimensions L x D [mm]	29.5 x 27.0

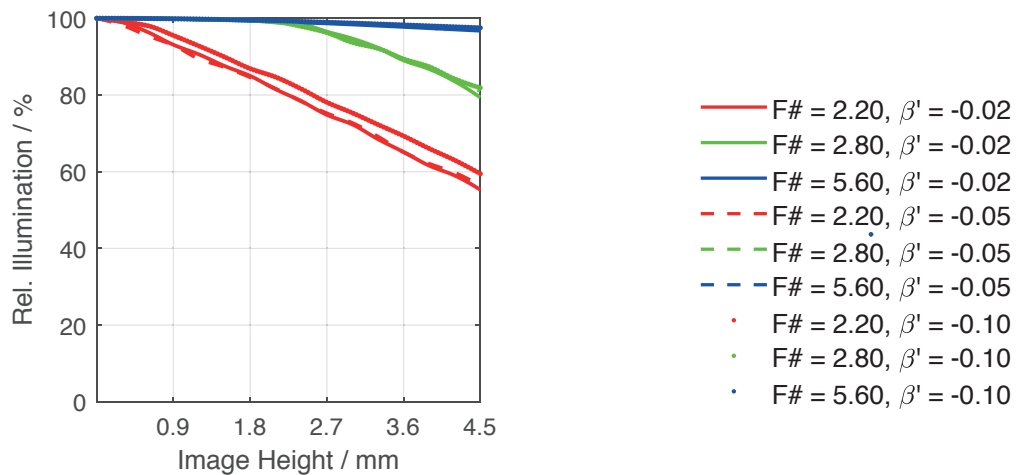
Name	Xenon-Ruby 2.2/25
Weight [g]	38
Storage temperature [°C]	-25 ... +70
f'_{eff} [mm]	25.22
S_F [mm]	-14.46
S'_F [mm]	16.60
HH' [mm]	-1.98
β'_P	1.162
S_{EP} [mm]	7.24
S'_{AP} [mm]	-12.72
Σd [mm]	17.41
ID	1088325



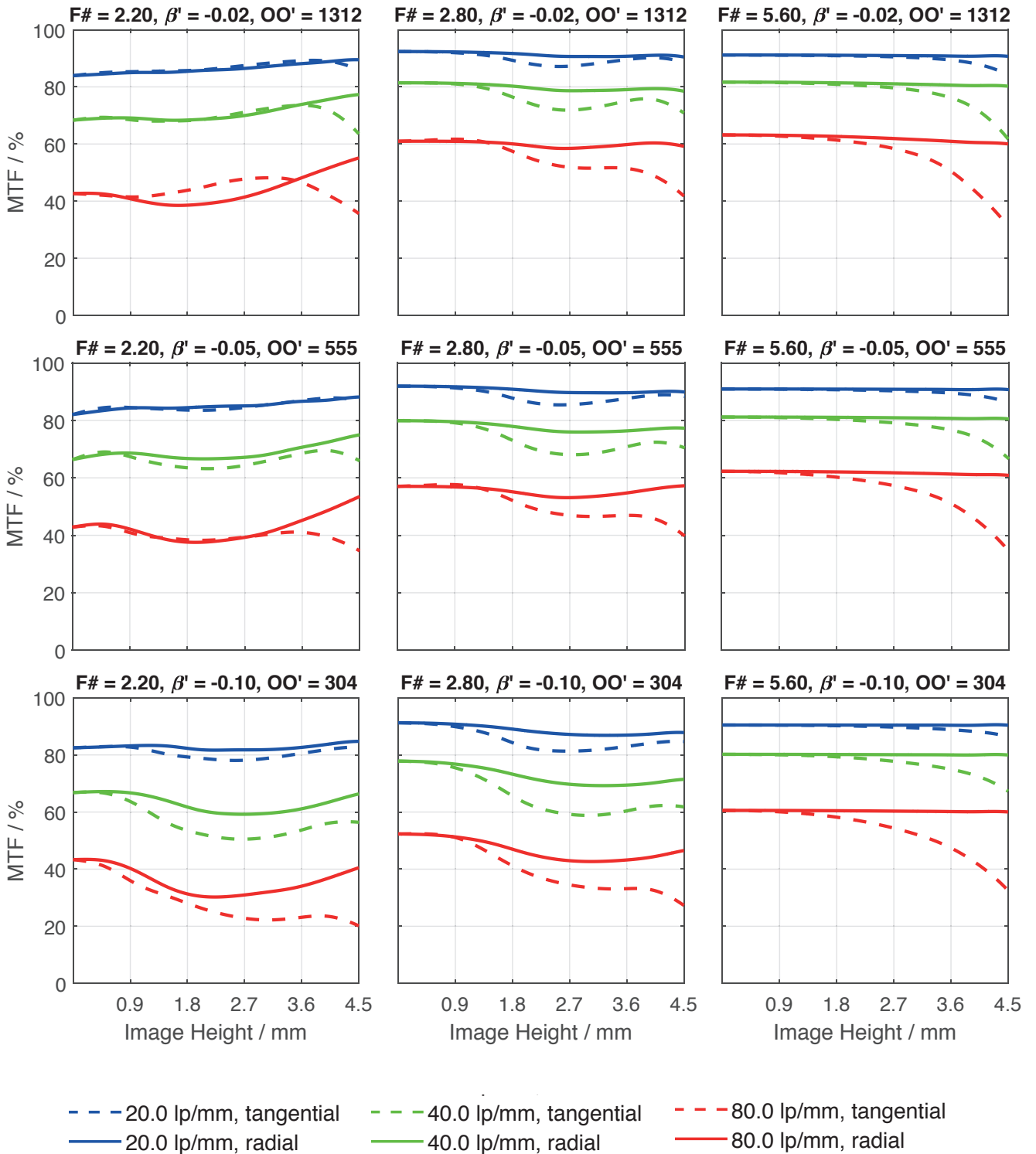
Distortion vs. Image Height **Transmittance vs. Wavelength**



Relative Illumination vs. Image Height



Spectrum Name	VIS					
Wavelengths [nm]	425	475	525	575	625	675
Weights	8	16	23	22	19	13



Accessories	Mount	Length	ID
Adapter	CS-Mount Adapter	5 mm	25081
	C-Mount / M42 x 1 Adapter	-	1075817
Ext. Tube	C-Mount	5 mm	39316
	C-Mount	8 mm	39315
	C-Mount	10 mm	39312

Get more information

Contact our local offices



Headquarter Germany

Jos. Schneider Optische Werke GmbH

Ringstraße 132

55543 Bad Kreuznach

☎ +49 671 601 205

✉ cs@schneiderkreuznach.com

www.schneiderkreuznach.com

Offices Worldwide

China

☎ +86 755 8832 1170

✉ shawn.liu@schneider-asiapacific.com

North America

☎ +1 800 645 7239 (East Coast)

☎ +1 800 228 1254 (West Coast)

✉ info@schneideroptics.com

Singapore

☎ +65 9488 0062

✉ thongv@schneiderkreuznach.com