

H6Z0812AIDC

6X 8mm - 48mm F1.2
for 1/2 type Cameras, Manual Zoom DC Drive
C-Mount

w/o Amplifier

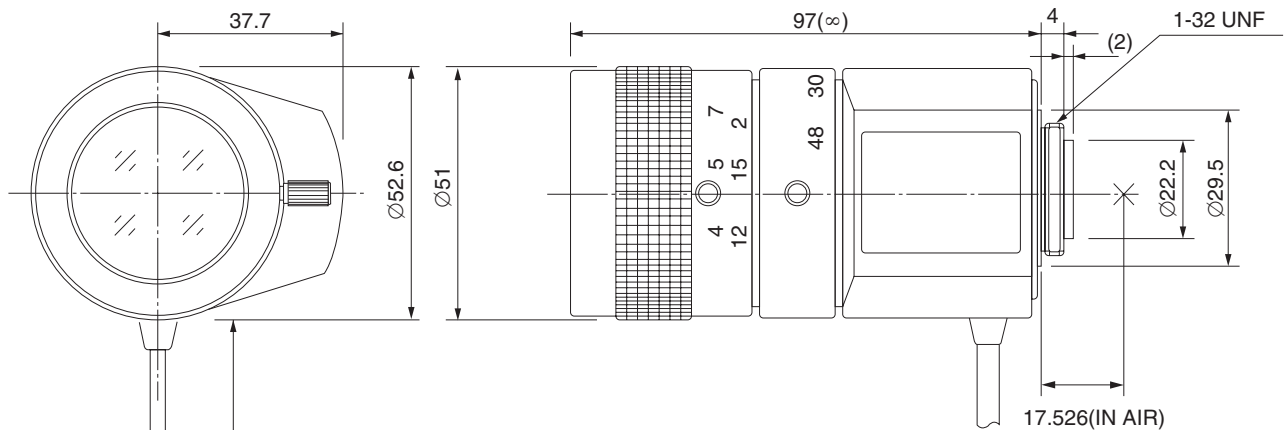
Model No.	H6Z0812AIDC		Effective	Front	Ø39.2mm			
Focal Length	8mm - 48mm		Lens Aperture	Rear	Ø16.6mm			
Max. Aperture Ratio	1:1.2		Back Focal Length	11.4mm				
Max. Image Format	6.4mm x 4.8mm(Ø8mm)		Flange Back Length	17.526mm				
Operation Range	Iris	F1.2 - F560C		Mount	C-Mount			
	Focus	1.2m - Inf.		Filter Size	M49 P=0.75mm			
	Zoom	8mm - 48mm		Tripod Screw	—			
Control	Iris	DC Auto Iris		Dimensions	W52.6mm x H64mm x D97mm			
	Focus	Manual		Weight	295g			
	Zoom	Manual						
Object Dimension at M.O.D.	8mm	98.4cm x 72.2cm						
	48mm	16.8cm x 12.8cm						
Angle of View	D	1/2 type	55.8° - 9.9°	1/3 type	41.8° - 7.5°	1/4 type	31.4° - 5.6°	
	H		44.6° - 8.0°				33.5° - 6.1°	25.2° - 4.6°
	V		33.5° - 6.1°				25.2° - 4.6°	18.9° - 3.4°
Coil	Drive	190Ω						
	Control	1000Ω						
Operating Temperature	-20°C - +50°C							

1/2
type

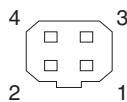
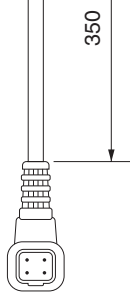
C

M.O.D. : Minimum Object Distance

Dimensions



Wiring Diagram



Pin No.

1	BROWN	Control (-)
2	RED	Control (+)
3	YELLOW	Drive (+)
4	ORANGE	Drive (-)