

MERCURY SERIES

MER-134-93U3M/C



- Ultra small, light and robust
- 1/2" Global Shutter CMOS sensor
- Compatible with GenICam™ and USB3.0 Vision®
- USB3.0 Interface
- 1.3 Megapixels
- 2 Programmable GPIOs
- Very attractive price

The MERCURY USB3.0 series(MER-U3) camera is DAHENG's mature area scan industrial digital camera, featuring mega pixels resolution, high definition, extremely low noise, perfect color conversion and compact design.

The MER-134-93U3M/C camera is a monochrome/color USB3.0 Vision camera with the Onsemi PYTHON 1300 CMOS sensor. Thanks to the extremely compact (29mm ×29mm ×29mm), robust metal housings and locking screw connectors. The MERCURY cameras can secure the reliability of cameras deployed in harsh environments.

The MER-134-93U3M/C camera is powered over the USB interface. The MER-134-93U3M/C camera has opto-isolated I/Os. The GPIOs give MER-U3 maximum flexibility to adapt to specific needs. The camera has an outstanding price/performance ratio.

The MERCURY family cameras are especially suitable for machine vision applications such as industrial inspection, medical, scientific research, education, security and so on.

- Mini USB3.0 interface with 10-bit or 8-bit Mono/Bayer output
- Programmable AOI, increased frame rate with partial scan
- Gain and exposure programmable
- White-balance control (only for color models)
- Flash sync for firing external lights at precisely the moment when exposure is performed
- Adjustable URB
- Software reset function
- Support color correction (only for color models) and defect pixel correction
- Storable user sets
- Robust full metal housing and optional lockable devices
- Hot plugging available
- Compatible with GenICam™ and USB3.0 Vision®, can be used in a wide range of 3rd-party software such as HALCON and LabVIEW directly
- Optimized software package for lower CPU loads in host running 32/64bit Windows
- Free SDK and examples for various programming tools
- Regulations: CE, RoHS, GenICam, USB3.0 Vision

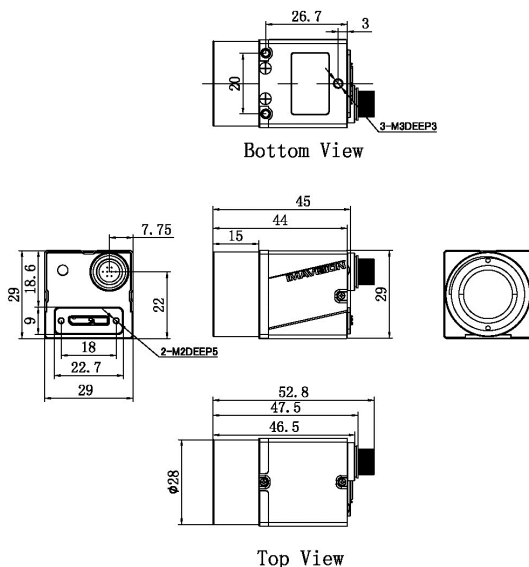
Performance Specifications

Model	MER-134-93U3M/C
Interface	USB3.0
Resolution	1280(H) × 1024(V)
Frame rate	93 fps
Sensor	1/2", Global Shutter Onsemi PYTHON 1300 CMOS
Cell size	4.8 μm × 4.8 μm
Spectrum	Monochrome / Color

Mechanical Specifications

Weight	57g
Dimensions	29x29x29mm, w/o adapter & connectors
Material	Metal enclosed (Housing)

Dimensions



Electrical Specifications

Power requirement	5 VDC via USB cable
I/Os	1 input / 1 output, 2 GPIOs
Data interface	USB3.0
Power consumption	<2.5W @5V

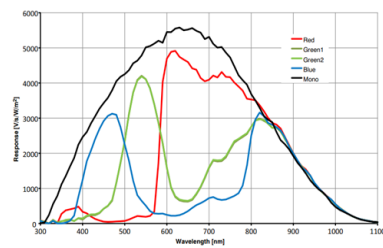
Environmental Specifications

Operating temp.	0°C ~ +45°C
Storage temp.	-20°C ~ +70°C
Operating humidity	10% ~ 80%

Optical Specifications

Lens mount	C-Mount
------------	---------

Spectral Response



MER-134-93U3M/C

China Daheng Group, Inc. Beijing Image Vision Technology Branch

12F Daheng Science Technology Tower, No.3 Suzhou Str., Haidian District,
Beijing 100080, China

Tel: +86(10) 82828878

E-mail: isales@daheng-image.com

For more information please see : www.daheng-image.com

Specifications are subject to change without prior notice.

Copyright © 2017 China Daheng Group, Inc. Beijing Image Vision Technology Branch. All rights reserved.

Dec.2017