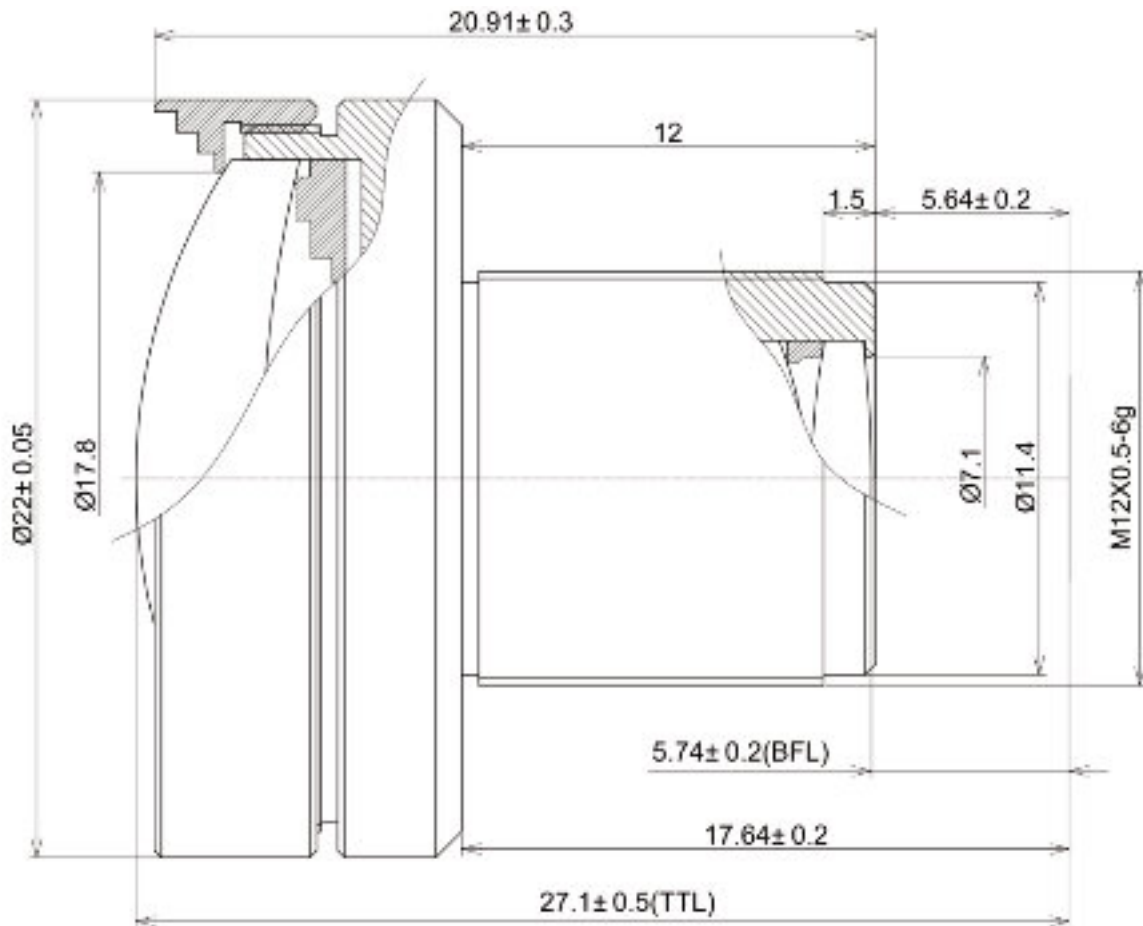


| | | | | | |
|---------------------|------------------|------------------------------------|--------|------------------|------------|
| Model | BL-03516MP13IRLD | Lens effect. Diameter Front | 17,8mm | M.O.D. | 0.1m |
| Sensor | CCD/CMOS | Lens effect. Diameter Back | 7,1mm | Iris | Fixed |
| Image Format | 1/3" | Back Focal Lenght | 5,99mm | MTF | MP |
| Focal Lenght | 3,5mm | | | Mount | M12X0.5 |
| Aperture | 1.6 | | | Dimension | Ø22x20,9mm |
| D/H/V-Angle | 80°/68°/53,5° | Distortion | -2,2% | Weight | |



| | | |
|--|---------------------|------------------|
|  | Order-Number | 302440 |
| | Model | BL-03516MP13IRLD |
| Internet: https://www.vision-dimension.com | | |
| email: sales@vision-dimension.com | | |
| | Version | 1.0 |