

# H10Z0812MSP

**10X 8mm - 80mm F1.2**  
**for 1/2 type Cameras, Motorized Zoom**  
**C-Mount**

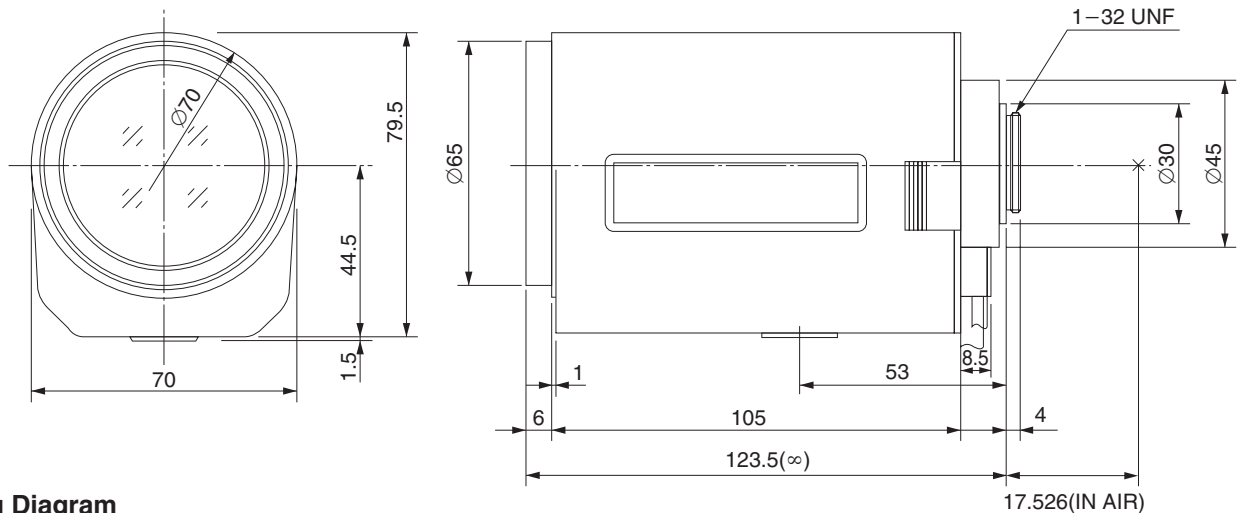
with Spot Filter and Preset

Model No.	H10Z0812MSP		Effective	Front	Ø54.0mm			
Focal Length	8mm - 80mm		Lens Aperture	Rear	Ø14.0mm			
Max. Aperture Ratio	1:1.2		Back Focal Length	15.3mm				
Max. Image Format	6.4mm x 4.8mm(Ø8mm)		Flange Back Length	17.526mm				
Operation Range	Iris	F1.2 - F560C	Mount	C-Mount				
	Focus	1.5m - Inf.	Filter Size	M62 P=0.75mm				
	Zoom	8mm - 80mm	Tripod Screw	1/4 - 20UNC				
Control	Iris	Motorized	Dimensions	W70mm x H81mm x D123.5mm				
	Focus	Motorized, Preset	Weight	670g				
	Zoom	Motorized, Preset						
Object Dimension at M.O.D.	8mm	124.8cm x 92.5cm						
	80mm	12.3cm x 9.2cm						
Angle of View	D	1/2 type	54.3° - 5.8°	1/3 type	41.3° - 4.4°	1/4 type	31.2° - 3.3°	
	H		44.0° - 4.7°				33.3° - 3.5°	25.0° - 2.6°
	V		33.3° - 3.5°				25.0° - 2.6°	18.8° - 2.0°
		Iris	Focus	Zoom				
Supply Voltage	DC8V		DC8V	DC8V				
Current	20mA or less		40mA or less	35mA or less				
Response Time	Approx. 2.5 sec.		Approx. 4.5 sec.	Approx. 3.5 sec.				
Preset Potentiometer	—		5kQVR	5kQVR				
Operating Temperature	-10°C - +50°C							

**1/2**  
type

**C**

**Dimensions**



**Wiring Diagram**

**PRESET POTENTIOMETER**

